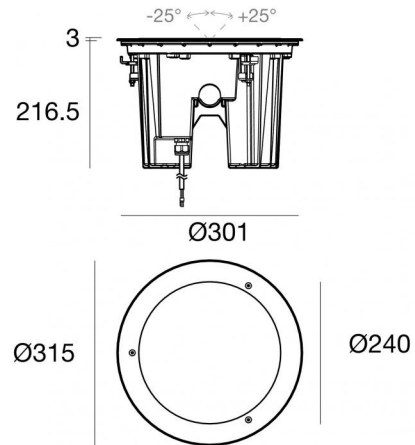


Suelo_RXJ



Uplights | 198-264 V
1 + arrayLED 88.4 W DC - 48.2 W AC | CRI 80
82715N30



Technical data	
Type	Drive Over
Installation position	Floor
Installation environment	Outdoor
Light Source	LED
Circuit structure	arrayLED
Optics	Flood
Light emission direction	downward
Nominal power	44.2 W DC
Total Power	48.2 W
Source lumens	7305 lm
Nominal input voltage	220 - 240 V AC
Input voltage range	198 - 264 V AC
Frequency	50 - 60 Hz
CCT / Tone	4000 K
Colour rendering index	80 Ra
C.C. / C.V.	AC
Safety class	1
IP	IP68
Installation limitations	Not for underwater use
IK	IK10
Glow wire test	850°
Direct mounting on normally flammable surfaces	No
CE	Yes
Driver included	Driver
Dimmable article	No
Directional	No
Tilting	Yes
total angle (vertical plane)	50 °
Walk-over	Yes
Drive-over	5000 Kg
Cable included	Yes
Cable length	1 m
Resin potting	Yes
Type of light emission	Single emission
Net weight	8 Kg
Electrostatic discharge protection	Yes
Surge protection	5 KV
Optics technology	Dark light
Product technological characteristics	Acquastop

Finishing casing

Material	Die-cast Aluminium EN AB - 46100
Colour	black
Processing	Open pore anodizing + Powder Coating

Finishing diffuser

Material	Extra clear glass - Tempered
Colour	transparent
Processing	Silk-screening

Finishing flange

Material	AISI 316 steel
Colour	steel
Processing	Brushing



Uplights | 198-264 V | 1 + arrayLED 88.4 W DC - 48.2 W AC | CRI 80 | Base 82715N30

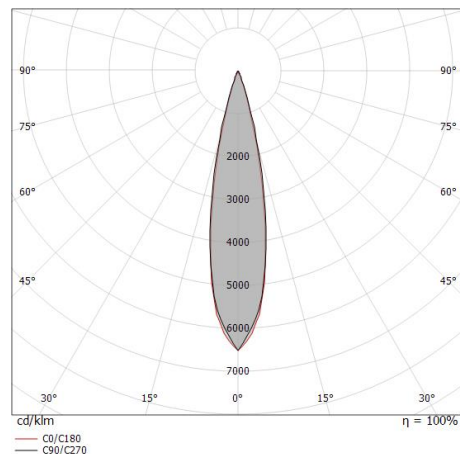
Single emission uplights for outdoor application. The natural white LED light source with a flood light distribution is composed of 1 arrayed LEDs with CCT of 4000 K and a CRI 80; the source luminous flux is 7305 lm, with a 165.3 lm/W nominal luminous efficacy.

The device body is made of die-cast aluminium en ab - 46100 and features a black finish, processed by means of open pore anodizing + powder coating; the diffuser is made of extra clear glass - tempered with a silk-screening treatment. The ingress protection degree is IP68; the total weight is of 8 kg.

The total absorbed power is 48.2 W. The power supply cable is included and features a 1 m length.

The device features protection class I and can be floor-mounted with an outer casing, code 83096(for concrete or masonry).

Compliant with the EN 60598-1 standard and its specific provisions.



Distance [m]	Cone diameter [m]	illuminance [lx]
0.5	0.20 0.19	E(0°) 83413 E(C90) 11.1° 39479 E(C0) 10.7° 40082
1.0	0.39 0.38	E(0°) 20853 E(C90) 11.1° 9870 E(C0) 10.7° 10021
1.5	0.59 0.57	E(0°) 9268 E(C90) 11.1° 4387 E(C0) 10.7° 4454
2.0	0.78 0.76	E(0°) 5213 E(C90) 11.1° 2467 E(C0) 10.7° 2505
2.5	0.98 0.94	E(0°) 3337 E(C90) 11.1° 1579 E(C0) 10.7° 1603
3.0	1.18 1.13	E(0°) 2317 E(C90) 11.1° 1097 E(C0) 10.7° 1113

Distance [m] Cone diameter [m] illuminance [lx]

— C0/C180 (Half-peak divergence: 21.4°)
— C90/C270 (Half-peak divergence: 22.2°)

Energy efficiency class

This product contains 2 light sources of energy efficiency class E.

Illuminotechnical Features

Light Output Ratio (LOR)	21 %
Source lumens	14610 lm
Delivered lumens	3202 lm
Consumption	48.2 W
Luminaire efficacy	66 lm/W
Colour temperature	4000 K
Standard Deviation of Colour Matching	2 Step MacAdam
Colour rendering index	80 Ra
Standard Operating Ambient Temperature	-20 / +50°C
Ordinary temperature on the glass	65°C

LED Life / Failure Ratio

L70 B10 C0 112960h (at Tj 65 Ta 25)

UGR

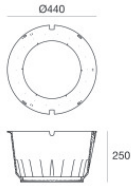
UGR axial	2.7
UGR transversal	2.6
X=4H Y=8H	S=0.25H
Reflection factor	70/50/20

OPTICAL

C0/C180 optics	21°
Light distribution simmetry	Symmetrical



Suelo_RXJ | Uplights | Accessories
82715N30



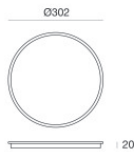
Outer casing

installation position: floor, land; type of installation: masonry L=440mm, H=250mm,
D=440mm.

Material:ABS Plastic, colour:black.

Code

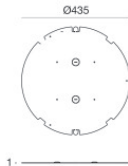
83096



Template

Code

83097



Accessories for outer casings - Caseback for outercasing

Material:Galvanised Iron, colour:grey, processing:Galvanising.

Code

93099