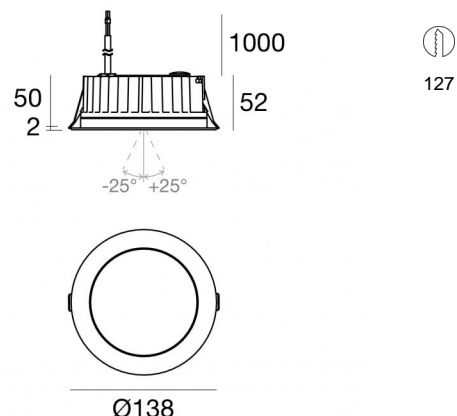




Downlights | 1 arrayLED 13 W DC 350 mA | CRI 80
82454N60



Technical data	
Type	Encasement with flange
Installation position	Ceiling
Installation environment	Outdoor
Light Source	LED
Circuit structure	arrayLED
Optics	Medium Wide Flood
Light emission direction	downward
Nominal power	13 W DC
Source lumens	2156 lm
Input voltage range	350mA
CCT / Tone	4000 K
Colour rendering index	80 Ra
C.C. / C.V.	CC
Safety class	3
IP	IP67
IK	IK10
Glow wire test	850°
Direct mounting on normally flammable surfaces	Yes
CE	Yes
Driver included	No
Dimmable article	DALI - 1-10V
Directional	No
Tilting	Yes
total angle (vertical plane)	50 °
Walk-over	No
Drive-over	No
Cable included	Yes
Cable length	1 m
Resin potting	Yes
Type of light emission	Single emission
Net weight	0.9 Kg
Electrostatic discharge protection	No
Surge protection	No
Optics technology	Honey comb
Product technological characteristics	Acquastop

Finishing casing

Material	Die-cast Aluminium EN AB - 46100
Colour	black
Processing	Open pore anodizing + Powder Coating

Finishing diffuser

Material	Extra clear glass - Tempered
Colour	transparent
Processing	Silk-screening

Finishing flange

Material	AISI 316L steel
Colour	steel
Processing	Brushing

Electronics



C-E200006
On/Off Driver 198-264V AC / 180-275V DC (1 art.)



Downlights | 1 arrayLED 13 W DC 350 mA | CRI 80 | Base 82454N60

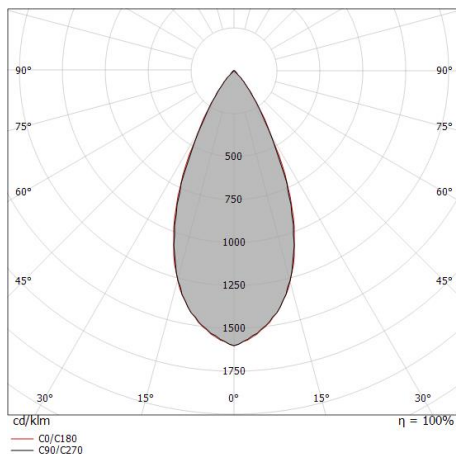
Single emission recessed downlights for outdoor application. The natural white LED light source with a medium wide flood light distribution is composed of 1 arrayed LEDs with CCT of 4000 K and a CRI 80; the source luminous flux is 2156 lm, with a 165.8 lm/W nominal luminous efficacy.

The device body is made of die-cast aluminium en ab - 46100 and features a black finish, processed by means of open pore anodizing + powder coating; the diffuser is made of extra clear glass - tempered with a silk-screening treatment. The ingress protection degree is IP67; the total weight is of 0.9 kg. The power supply driver is not provided and is to be ordered separately.

The total absorbed power is 13 W. The power supply cable is included and features a 1 m length.

The device features protection class III and can be ceiling-mounted, with a 127 mm diameter hole (in plasterboard) with an outer casing, code 99749(for concrete or masonry).

Compliant with the EN 60598-1 standard and its specific provisions.



Distance [m]	Cone diameter [m]	illuminance [lx]
0.5	0.44 0.45	E(0°) 5384 E(C90) 2069 E(C0) 2053
1.0	0.88 0.89	E(0°) 1346 E(C90) 517 E(C0) 513
1.5	1.32 1.34	E(0°) 598 E(C90) 230 E(C0) 228
2.0	1.76 1.78	E(0°) 337 E(C90) 129 E(C0) 128
2.5	2.19 2.23	E(0°) 215 E(C90) 83 E(C0) 82
3.0	2.63 2.67	E(0°) 150 E(C90) 57 E(C0) 57

— C0/C180 (Half-peak divergence: 48.0°)
— C90/C270 (Half-peak divergence: 47.4°)

Energy efficiency class

This product contains a light source of energy efficiency class E.

Illuminotechnical Features

Light Output Ratio (LOR)	45 %
Source lumens	2156 lm
Delivered lumens	979 lm
Consumption	12 W
Luminaire efficacy	81 lm/W
Colour temperature	4000 K
Standard Deviation of Colour Matching	2 Step MacAdam
Colour rendering index	80 Ra
Standard Operating Ambient Temperature	-20 / +50°C
Ordinary temperature on the glass	40°C

LED Life / Failure Ratio

L70 B10 C0 252000h (at Tj 65 Ta 25)

UGR

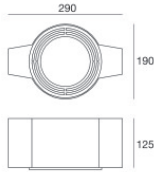
UGR axial	14.4
UGR transversal	14.2
X=4H Y=8H	S=0.25H
Reflection factor	70/50/20

OPTICAL

C0/C180 optics	47°
Light distribution simmetry	Symmetrical



Orma_CJ | Downlights | Accessories
82454N60



Outer casing - (to be completed with universal grill 99750)
installation position: ceiling; type of installation: masonry L=290mm, H=125mm, D=190mm

Code
99749



Accessories for outer casings - Universal grille for outer casing 99749

Code
99750