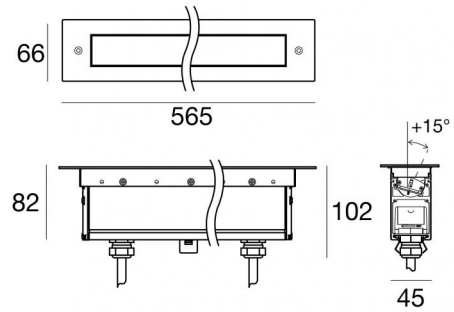




Lines | 220-240 V
 9 x powerLEDs 18.3 W DC - 20.5 W AC | CRI 80
82311W15



| Technical data | |
|--|-----------------|
| Type | Frame |
| Installation position | Floor |
| Installation environment | Outdoor |
| Light Source | LED |
| Circuit structure | powerLEDs |
| Optics | Spot |
| Light emission direction | upward |
| Nominal power | 18.3 W DC |
| Total Power | 20.5 W |
| Source lumens | 2718 lm |
| Nominal input voltage | 220 - 240 V AC |
| Input voltage range | 220 - 240 V AC |
| Frequency | 50 - 60 Hz |
| CCT / Tone | 3000 K |
| Colour rendering index | 80 Ra |
| C.C. / C.V. | AC |
| Safety class | 1 |
| IP | IP67 |
| IK | IK10 |
| Glow wire test | 850° |
| Direct mounting on normally flammable surfaces | Yes |
| CE | Yes |
| Driver included | Driver |
| Dimmable article | DALI |
| Directional | No |
| Tilting | Yes |
| total angle (horizontal plane) | 15 ° |
| total angle (vertical plane) | 0 ° |
| Walk-over | Yes |
| Drive-over | No |
| Cable included | Yes |
| Cable length | 0.2 m |
| Resin potting | No |
| Type of light emission | Single emission |
| Net weight | 2.8 Kg |
| Electrostatic discharge protection | 4 KV |
| Surge protection | 6 KV |

Finishing casing

| | |
|------------|-----------------|
| Material | Aluminium 6060 |
| Colour | Anodised Black |
| Processing | 15 µm Anodizing |

Finishing diffuser

| | |
|------------|------------------------------|
| Material | Extra clear glass - Tempered |
| Colour | transparent |
| Processing | Silk-screening |

Finishing flange

| | |
|------------|----------------|
| Material | AISI 316 steel |
| Colour | steel |
| Processing | Brushing |



Lines | 220-240 V | 9 x powerLEDs 18.3 W DC - 20.5 W AC | CRI 80 | Base 82311W15

Energy efficiency class

This product contains 2 light sources of energy efficiency class D.

Illuminotechnical Features

| | |
|---|----------|
| Light Output Ratio (LOR) | 57 % |
| Source lumens | 2718 lm |
| Delivered lumens | 1572 lm |
| Consumption | 20.5 W |
| Luminaire efficacy | 76 lm/W |
| Colour temperature | 3000 K |
| Standard Deviation of Colour Matching | 1.5 Step |
| Colour rendering index | 80 Ra |
| Standard Operating Ambient Temperature -20 / +50°C | |
| Ordinary temperature on the glass 40°C | |

LED Life / Failure Ratio

L70 B10 C0 361980h (at Tj 60 Ta 25)

UGR

| | |
|-------------------|----------|
| UGR axial | 19.4 |
| UGR transversal | 9.5 |
| X=4H Y=8H | S=0.25H |
| Reflection factor | 70/50/20 |

OPTICAL

| | |
|-----------------------------|---------------------|
| C90/C270 optics | 28° |
| C0/C180 optics | 18° |
| Light distribution simmetry | Symmetrical 2 assis |

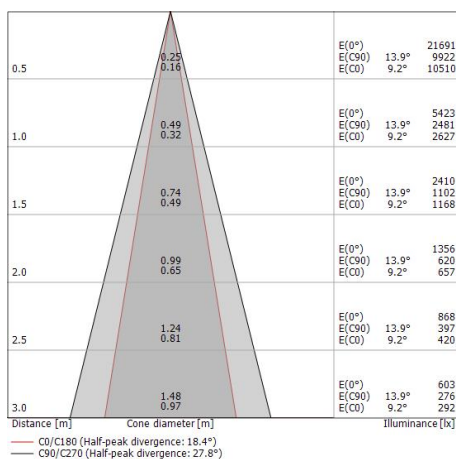
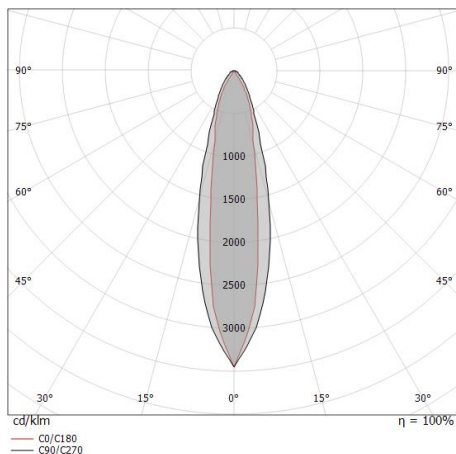
Single emission lines for outdoor application. The warm white LED light source with a spot light distribution is composed of 9 powered LEDs with CCT of 3000 K and a CRI 80; the source luminous flux is 2718 lm, with a 148.5 lm/W nominal luminous efficacy.

The device body is made of aluminium 6060 and features a anodised black finish, processed by means of 15 µm anodizing; the diffuser is made of extra clear glass - tempered with a silk-screening treatment. The ingress protection degree is IP67; the total weight is of 2.8 kg.

The total absorbed power is 20.5 W. The power supply cable is included and features a 0.2 m length.

The device features protection class I and can be floor-mounted with an outer casing, code 98672(for concrete or masonry).

Compliant with the EN 60598-1 standard and its specific provisions.





| | | | | |
|--|--|--|--|---------------------------------------|
| | | <p>Outer casing installation position: wall lights, floor; type of installation: masonry L=546mm, H=138.3mm, D=100.2mm. Material:Iron, colour:zinc, processing:Galvanising.</p> | <p>Finish Grey</p> | <p>Code 98672</p> |
| | | <p>Cable and connector Length 5000 mm.</p> | | <p>Code 99822</p> |
| | | <p>Cable and connector Length 1000 mm.</p> | | <p>Code 99823</p> |
| | | <p>Cable and connector Length 5000 mm.</p> | | <p>Code 99824</p> |
| | | <p>Cable and connector Length 10000 mm.</p> | | <p>Code 99825</p> |
| | | <p>Cable and connector Length 1000 mm.</p> | | <p>Code 99826</p> |