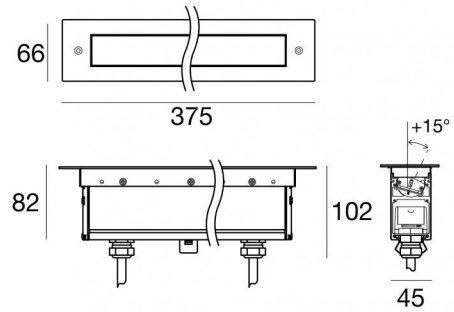




Lines | 198-264 V  
6 x powerLEDs 13.2 W DC - 14.5 W AC | CRI 80  
**82308W08**



| Technical data                                 |                 |
|--|-----------------|
| Type   | Frame           |
| Installation position                          | Floor           |
| Installation environment                       | Outdoor         |
| Light Source                                   | LED             |
| Circuit structure                              | powerLEDs       |
| Optics   | Narrow Spot     |
| Light emission direction                       | upward          |
| Nominal power                                  | 13.2 W DC       |
| Total Power                                    | 14.5 W          |
| Source lumens                                  | 1812 lm         |
| Nominal input voltage                          | 220 - 240 V AC  |
| Input voltage range                            | 198 - 264 V AC  |
| Frequency                                      | 50 - 60 Hz      |
| CCT / Tone                                     | 3000 K          |
| Colour rendering index                         | 80 Ra           |
| C.C. / C.V.                                    | AC              |
| Safety class                                   | 1               |
| IP   | IP67            |
| IK   | IK10            |
| Glow wire test                                 | 850°            |
| Direct mounting on normally flammable surfaces | Yes             |
| CE   | Yes             |
| Driver included                                | Driver          |
| Dimmable article                               | No              |
| Directional                                    | No              |
| Tilting  | Yes             |
| total angle (horizontal plane)                 | 15 °            |
| total angle (vertical plane)                   | 0 °             |
| Walk-over                                      | Yes             |
| Drive-over                                     | No              |
| Cable included                                 | Yes             |
| Cable length                                   | 0.2 m           |
| Resin potting                                  | No              |
| Type of light emission                         | Single emission |
| Net weight                                     | 1.5 Kg          |
| Electrostatic discharge protection             | 4 KV            |
| Surge protection                               | 6 KV            |

### Finishing casing

|            |                 |
|------------|-----------------|
| Material   | Aluminium 6060  |
| Colour     | Anodised Black  |
| Processing | 15 µm Anodizing |

### Finishing diffuser

|            |                              |
|------------|------------------------------|
| Material   | Extra clear glass - Tempered |
| Colour     | transparent                  |
| Processing | Silk-screening               |

### Finishing flange

|            |                |
|------------|----------------|
| Material   | AISI 316 steel |
| Colour     | steel          |
| Processing | Brushing       |

### Cables Electrification

|                       |                     |
|-----------------------|---------------------|
| IP (locked condition) | 68                  |
| Cable connector       | Female Socket 3 Pin |
| Cable connector       | Male Plug 3 pin     |



Lines | 198-264 V | 6 x powerLEDs 13.2 W DC - 14.5 W AC | CRI 80 | Base  
**82308W08**

Single emission lines for outdoor application. The warm white LED light source with a narrow spot light distribution is composed of 6 powered LEDs with CCT of 3000 K and a CRI 80; the source luminous flux is 1812 lm, with a 137.3 lm/W nominal luminous efficacy.

The device body is made of aluminium 6060 and features a anodised black finish, processed by means of 15 µm anodizing; the diffuser is made of extra clear glass - tempered with a silk-screening treatment. The ingress protection degree is IP67; the total weight is of 1.5 kg.

The total absorbed power is 14.5 W. The power supply cable is included and features a 0.2 m length.

The device features protection class I and can be floor-mounted with an outer casing, code 98671 (for concrete or masonry).

Compliant with the EN 60598-1 standard and its specific provisions.

### Energy efficiency class

This product contains a light source of energy efficiency class D.

### Illuminotechnical Features

|  |             |
|--|-------------|
| Light Output Ratio (LOR)               | 57 %        |
| Source lumens                          | 1812 lm     |
| Delivered lumens                       | 1038 lm     |
| Consumption                            | 14.5 W      |
| Luminaire efficacy                     | 71 lm/W     |
| Colour temperature                     | 3000 K      |
| Standard Deviation of Colour Matching  | 1.5 Step    |
| Colour rendering index                 | 80 Ra       |
| Standard Operating Ambient Temperature | -20 / +50°C |
| Ordinary temperature on the glass      | 40°C        |

### LED Life / Failure Ratio

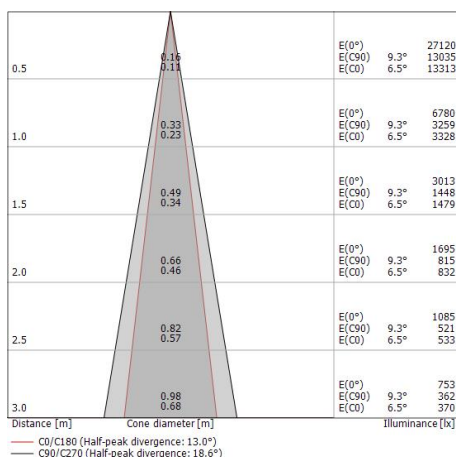
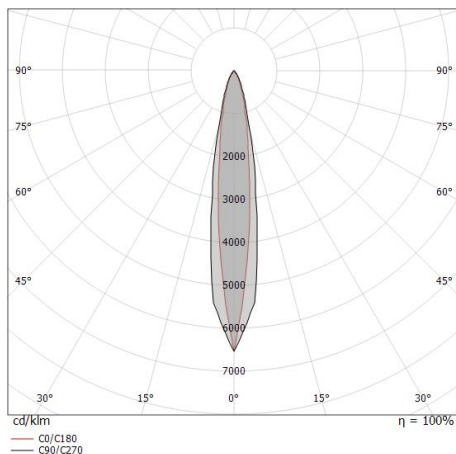
L70 B10 C0 361980h (at Tj 60 Ta 25 )

### UGR

|                   |          |
|-------------------|----------|
| UGR axial         | 11.7     |
| UGR transversal   | 10.2     |
| X=4H   Y=8H       | S=0.25H  |
| Reflection factor | 70/50/20 |

### OPTICAL

|                             |                     |
|-----------------------------|---------------------|
| C90/C270 optics             | 19°                 |
| C0/C180 optics              | 13°                 |
| Light distribution simmetry | Symmetrical 2 assis |





|  |  |   |  |
|--|--|---|--|
|  | <p>Cable and connector<br/>Length 2000 mm; insulation double; section 1.5 mm<sup>2</sup>; cable gland: no; external diameter: 9.5 mm; colors: blue - brown - yellow-green.</p> | <p><b>Code</b><br/><u>99057</u></p>   |  |
|  | <p>Cable and connector<br/>Length 5000 mm; insulation double; section 1.5 mm<sup>2</sup>; cable gland: no; external diameter: 9.5 mm; colors: blue - brown - yellow-green.</p> | <p><b>Code</b><br/><u>98147</u></p>   |  |
|  |  | <p>Cable and connector<br/>Length 10000 mm; insulation double; section 1.5 mm<sup>2</sup>; cable gland: no; external diameter: 9.5 mm; colors: blue - brown - yellow-green.</p>         | <p><b>Code</b><br/><u>98146</u></p>                            |
|  |  | <p>Outer casing<br/>installation position: wall lights, floor; type of installation: masonry L=356mm, H=138.3mm, D=100.2mm.<br/>Material:Iron, colour:zinc, processing:Galvanising.</p> | <p><b>Finish</b><br/>Grey<br/><b>Code</b><br/><u>98671</u></p> |