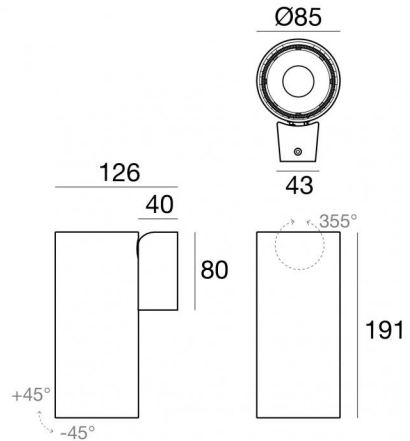


Pound_Wall



Wall Lights | 108-305 V AC /170-280 V DC
1 arrayLED 26 W DC - 29 W AC | CRI 90
82000M60



Technical data	
Type	Surface
Installation position	Wall lights
Installation environment	Indoor
Light Source	LED
Circuit structure	arrayLED
Optics	Medium Wide Flood
Light emission direction	downward
Nominal power	26 W DC
Total Power	29 W
Source lumens	4295 lm
Nominal input voltage	220 - 240 V AC
Input voltage range	108 - 305 V AC
Frequency	50 - 60 Hz
CCT / Tone	2700 K
Colour rendering index	90 Ra
C.C. / C.V.	AC
Safety class	1
IP	IP20
Glow wire test	850°
Direct mounting on normally flammable surfaces	Yes
CE	Yes
Driver included	Driver
Dimmable article	No
Directional	Swivelling
total angle (vertical plane)	90 °
total angle (horizontal plane)	355 °
Tilting	No
Walk-over	No
Drive-over	No
Cable included	No
Resin potting	No
Type of light emission	Single emission
Net weight	1.2 Kg
Electrostatic discharge protection	Yes
Surge protection	2 KV
Optics technology	Anti - Glare

Finishing casing

Material	Die-cast Aluminium EN AB - 46100
Colour	Black
Processing	Powder coating

The driver contained in the device complies with IEC 61347-2-13 annex J, and can therefore be powered by centralized power systems.



Wall Lights | 108-305 V AC /170-280 V DC | 1 arrayLED 26 W DC - 29 W AC | CRI 90 |
Base
82000M60

Single emission wall lights for indoor application. The super warm white LED light source with a medium wide flood light distribution is composed of 1 arrayed LEDs with CCT of 2700 K and a CRI 90; the source luminous flux is 4295 lm, with a 165.2 lm/W nominal luminous efficacy.

The device body is made of die-cast aluminium en ab - 46100 and features a black finish, processed by means of powder coating. The ingress protection degree is IP20; the total weight is of 1.2 kg.

The total absorbed power is 29 W.

The device features protection class I and can be wall lights-mounted.

Compliant with the EN 60598-1 standard and its specific provisions.

Energy efficiency class

This product contains a light source of energy efficiency class E.

Illuminotechnical Features

Light Output Ratio (LOR)	71 %
Source lumens	4295 lm
Delivered lumens	3088 lm
Consumption	29 W
Luminaire efficacy	106 lm/W
Colour temperature	2700 K
Standard Deviation of Colour Matching	2 Step MacAdam
Colour rendering index	90 Ra
Colour Rendering Index	60 R9
Black Body Locus	On
Standard Operating Ambient Temperature	-20 / +50°C
Ordinary temperature on the glass	40°C

LED Life / Failure Ratio

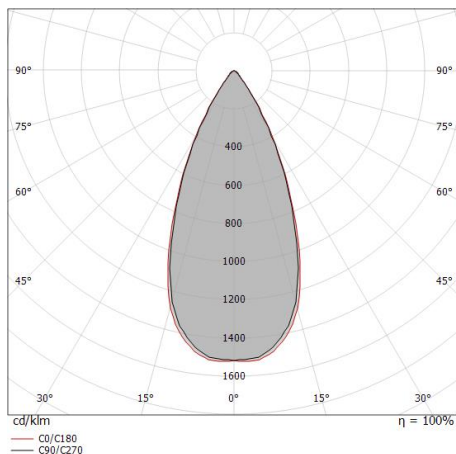
L70 B10 C0 252000h (at Tj 65 Ta 25)

UGR

UGR transversal	21.9
UGR axial	21.9
X=4H Y=8H	S=0.25H
Reflection factor	70/50/20

OPTICAL

C0/C180 optics	46°
Light distribution symmetry	Symmetrical



Distance [m]	Cone diameter [m]	illuminance [lx]
0.5	0.43 0.43	E(0°) 18753 E(C90) 7298 E(C0) 7331
1.0	0.86 0.87	E(0°) 4688 E(C90) 1824 E(C0) 1833
1.5	1.29 1.30	E(0°) 2094 E(C90) 811 E(C0) 815
2.0	1.71 1.74	E(0°) 1172 E(C90) 456 E(C0) 458
2.5	2.14 2.17	E(0°) 750 E(C90) 292 E(C0) 293
3.0	2.57 2.61	E(0°) 521 E(C90) 203 E(C0) 204

— C0/C180 (Half-peak divergence: 47.0°)
— C90/C270 (Half-peak divergence: 46.4°)

COLOR VECTOR GRAPHIC





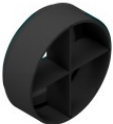
Anti-glare
Anti-glare Type: honeycomb louvre.
Material:Pom-C, colour:Black.

Code
C-U300008



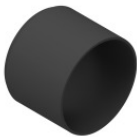
Anti-glare
Anti-glare Type: 45° cylindrical screen.
Material:Pom-C, colour:Black.

Code
C-U300030



Anti-glare
Anti-glare Type: cross louvres.
Material:Pom-C, colour:Black.

Code
C-U300031



Anti-glare
Anti-glare Type: cylindrical screen.
Material:Pom-C, colour:Black.

Code
C-U300029



Diffuser
Diffuser Type: elliptical filter

Code
C-U300007



Optics - SPOT
Light distribution: spot,Cover material: uv resistant polycarbonate

Code
C-U300015



Optics - FLOOD
Light distribution: flood,Cover material: ,uv resistant polycarbonate,uv resistant polycarbonate,uv resistant polycarbonate

Code
C-U300016



Optics - WIDE FLOOD
Light distribution: medium flood,Cover material: ,uv resistant polycarbonate,uv resistant polycarbonate,uv resistant polycarbonate

Code
C-U300017