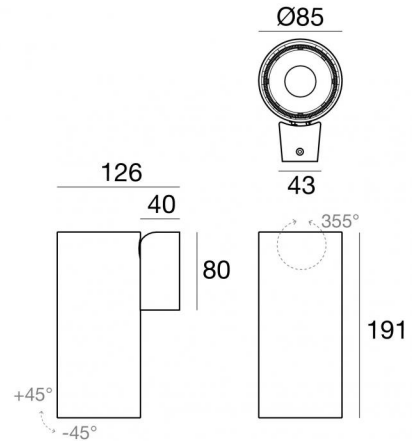


Pound_Wall



Wall Lights | 108-305 V AC /170-280 V DC
1 arrayLED 26 W DC - 29 W AC | CRI 90
82000M15



| Technical data | |
|--|-----------------|
| Type | Surface |
| Installation position | Wall lights |
| Installation environment | Indoor |
| Light Source | LED |
| Circuit structure | arrayLED |
| Optics | Spot |
| Light emission direction | downward |
| Nominal power | 26 W DC |
| Total Power | 29 W |
| Source lumens | 4295 lm |
| Nominal input voltage | 220 - 240 V AC |
| Input voltage range | 108 - 305 V AC |
| Frequency | 50 - 60 Hz |
| CCT / Tone | 2700 K |
| Colour rendering index | 90 Ra |
| C.C. / C.V. | AC |
| Safety class | 1 |
| IP | IP20 |
| Glow wire test | 850° |
| Direct mounting on normally flammable surfaces | Yes |
| CE | Yes |
| Driver included | Driver |
| Dimmable article | No |
| Directional | Swivelling |
| total angle (vertical plane) | 90 ° |
| total angle (horizontal plane) | 355 ° |
| Tilting | No |
| Walk-over | No |
| Drive-over | No |
| Cable included | No |
| Resin potting | No |
| Type of light emission | Single emission |
| Net weight | 1.2 Kg |
| Electrostatic discharge protection | Yes |
| Surge protection | 2 KV |
| Optics technology | Anti - Glare |

Finishing casing

| | |
|------------|----------------------------------|
| Material | Die-cast Aluminium EN AB - 46100 |
| Colour | Black |
| Processing | Powder coating |

The driver contained in the device complies with IEC 61347-2-13 annex J, and can therefore be powered by centralized power systems.



Wall Lights | 108-305 V AC /170-280 V DC | 1 arrayLED 26 W DC - 29 W AC | CRI 90 | Base
82000M15

Single emission wall lights for indoor application. The super warm white LED light source with a spot light distribution is composed of 1 arrayed LEDs with CCT of 2700 K and a CRI 90; the source luminous flux is 4295 lm, with a 165.2 lm/W nominal luminous efficacy.

The device body is made of die-cast aluminium en ab - 46100 and features a black finish, processed by means of powder coating. The ingress protection degree is IP20; the total weight is of 1.2 kg.

The total absorbed power is 29 W.

The device features protection class I and can be wall lights-mounted.

Compliant with the EN 60598-1 standard and its specific provisions.

Energy efficiency class

This product contains a light source of energy efficiency class E.

Illuminotechnical Features

| | |
|--|----------------|
| Light Output Ratio (LOR) | 72 % |
| Source lumens | 4295 lm |
| Delivered lumens | 3107 lm |
| Consumption | 29 W |
| Luminaire efficacy | 107 lm/W |
| Colour temperature | 2700 K |
| Standard Deviation of Colour Matching | 2 Step MacAdam |
| Colour rendering index | 90 Ra |
| Colour Rendering Index | 60 R9 |
| Black Body Locus | On |
| Standard Operating Ambient Temperature | -20 / +50°C |
| Ordinary temperature on the glass | 40°C |

LED Life / Failure Ratio

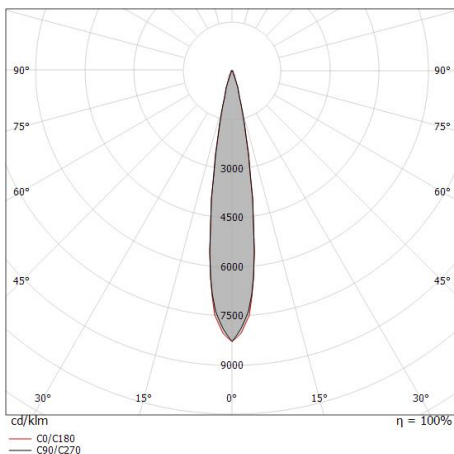
L70 B10 C0 252000h (at Tj 65 Ta 25)

UGR

| | |
|-------------------|----------|
| UGR transversal | 15.6 |
| UGR axial | 15.6 |
| X=4H Y=8H | S=0.25H |
| Reflection factor | 70/50/20 |

OPTICAL

| | |
|-----------------------------|-------------|
| C0/C180 optics | 17° |
| Light distribution simmetry | Symmetrical |



| Distance [m] | Cone diameter [m] | illuminance [lx] |
|--------------|-------------------|---|
| 0.5 | 0.15 0.15 | E(0°) 102931 E(C90) 8.8° 49711 E(C0) 8.7° 50402 |
| 1.0 | 0.31 0.31 | E(0°) 25733 E(C90) 8.8° 12428 E(C0) 8.7° 12600 |
| 1.5 | 0.46 0.46 | E(0°) 11437 E(C90) 8.8° 5523 E(C0) 8.7° 5600 |
| 2.0 | 0.62 0.61 | E(0°) 6433 E(C90) 8.8° 3107 E(C0) 8.7° 3150 |
| 2.5 | 0.77 0.77 | E(0°) 4117 E(C90) 8.8° 1988 E(C0) 8.7° 2016 |
| 3.0 | 0.93 0.92 | E(0°) 2859 E(C90) 8.8° 1381 E(C0) 8.7° 1400 |

— C0/C180 (Half-peak divergence: 17.4°)
 — C90/C270 (Half-peak divergence: 17.6°)

COLOR VECTOR GRAPHIC





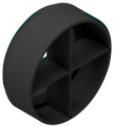
Anti-glare
Anti-glare Type: honeycomb louvre.
Material:Pom-C, colour:Black.

Code
C-U300008



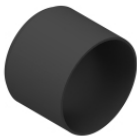
Anti-glare
Anti-glare Type: 45° cylindrical screen.
Material:Pom-C, colour:Black.

Code
C-U300030



Anti-glare
Anti-glare Type: cross louvres.
Material:Pom-C, colour:Black.

Code
C-U300031



Anti-glare
Anti-glare Type: cylindrical screen.
Material:Pom-C, colour:Black.

Code
C-U300029



Diffuser
Diffuser Type: elliptical filter

Code
C-U300007



Optics - SPOT
Light distribution: spot,Cover material: uv resistant polycarbonate

Code
C-U300015



Optics - FLOOD
Light distribution: flood,Cover material: ,uv resistant polycarbonate,uv resistant polycarbonate,uv resistant polycarbonate

Code
C-U300016



Optics - WIDE FLOOD
Light distribution: medium flood,Cover material: ,uv resistant polycarbonate,uv resistant polycarbonate,uv resistant polycarbonate

Code
C-U300017