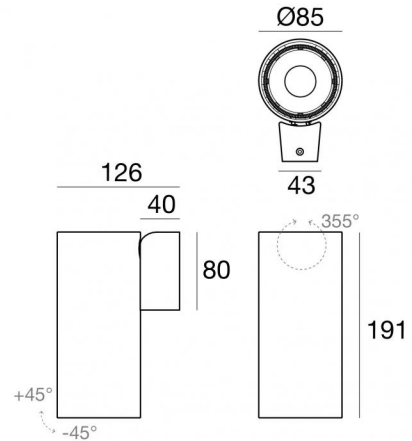


Pound_Wall



Wall Lights | 108-305 V AC /170-280 V DC
1 arrayLED 26 W DC - 29 W AC | CRI 90
81999M30



Technical data	
Type	Surface
Installation position	Wall lights
Installation environment	Indoor
Light Source	LED
Circuit structure	arrayLED
Optics	Flood
Light emission direction	downward
Nominal power	26 W DC
Total Power	29 W
Source lumens	4295 lm
Nominal input voltage	220 - 240 V AC
Input voltage range	108 - 305 V AC
Frequency	50 - 60 Hz
CCT / Tone	2700 K
Colour rendering index	90 Ra
C.C. / C.V.	AC
Safety class	1
IP	IP20
Glow wire test	850°
Direct mounting on normally flammable surfaces	Yes
CE	Yes
Driver included	Driver
Dimmable article	No
Directional	Swivelling
total angle (vertical plane)	90 °
total angle (horizontal plane)	355 °
Tilting	No
Walk-over	No
Drive-over	No
Cable included	No
Resin potting	No
Type of light emission	Single emission
Net weight	1.2 Kg
Electrostatic discharge protection	Yes
Surge protection	2 KV
Optics technology	Anti - Glare

Finishing casing

Material	Die-cast Aluminium EN AB - 46100
Colour	White
Processing	Powder coating

The driver contained in the device complies with IEC 61347-2-13 annex J, and can therefore be powered by centralized power systems.



Wall Lights | 108-305 V AC /170-280 V DC | 1 arrayLED 26 W DC - 29 W AC | CRI 90 | Base 81999M30

Single emission wall lights for indoor application. The super warm white LED light source with a flood light distribution is composed of 1 arrayed LEDs with CCT of 2700 K and a CRI 90; the source luminous flux is 4295 lm, with a 165.2 lm/W nominal luminous efficacy.

The device body is made of die-cast aluminium en ab - 46100 and features a white finish, processed by means of powder coating. The ingress protection degree is IP20; the total weight is of 1.2 kg.

The total absorbed power is 29 W.

The device features protection class I and can be wall lights-mounted.

Compliant with the EN 60598-1 standard and its specific provisions.

Energy efficiency class

This product contains a light source of energy efficiency class E.

Illuminotechnical Features

Light Output Ratio (LOR)	72 %
Source lumens	4295 lm
Delivered lumens	3126 lm
Consumption	29 W
Luminaire efficacy	107 lm/W
Colour temperature	2700 K
Standard Deviation of Colour Matching	2 Step MacAdam
Colour rendering index	90 Ra
Colour Rendering Index	60 R9
Black Body Locus	On
Standard Operating Ambient Temperature	-20 / +50°C
Ordinary temperature on the glass	40°C

LED Life / Failure Ratio

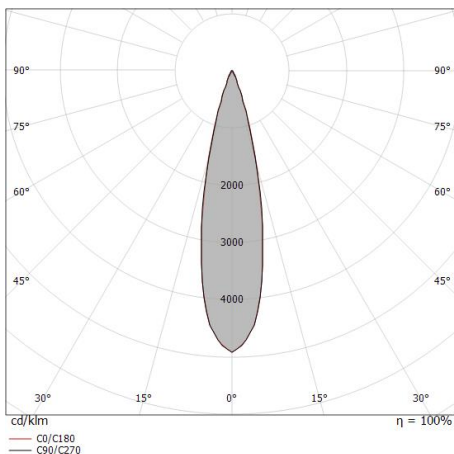
L70 B10 C0 252000h (at Tj 65 Ta 25)

UGR

UGR transversal	16.5
UGR axial	16.4
X=4H Y=8H	S=0.25H
Reflection factor	70/50/20

OPTICAL

C0/C180 optics	24°
Light distribution simmetry	Symmetrical



Distance [m]	Cone diameter [m]	Illuminance [lx]
0.5	0.21 0.21	E(0°) 61519 E(C90) 28874 E(C0) 29002
1.0	0.43 0.42	E(0°) 15380 E(C90) 7219 E(C0) 7251
1.5	0.64 0.63	E(0°) 6835 E(C90) 3208 E(C0) 3222
2.0	0.85 0.84	E(0°) 3845 E(C90) 1805 E(C0) 1813
2.5	1.06 1.05	E(0°) 2461 E(C90) 1155 E(C0) 1160
3.0	1.28 1.26	E(0°) 1709 E(C90) 802 E(C0) 806

— C0/C180 (Half-peak divergence: 23.8°)
— C90/C270 (Half-peak divergence: 24.0°)

COLOR VECTOR GRAPHIC





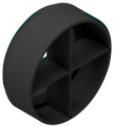
Anti-glare
Anti-glare Type: honeycomb louvre.
Material:Pom-C, colour:Black.

Code
C-U300008



Anti-glare
Anti-glare Type: 45° cylindrical screen.
Material:Pom-C, colour:Black.

Code
C-U300030



Anti-glare
Anti-glare Type: cross louvres.
Material:Pom-C, colour:Black.

Code
C-U300031



Anti-glare
Anti-glare Type: cylindrical screen.
Material:Pom-C, colour:Black.

Code
C-U300029



Diffuser
Diffuser Type: elliptical filter

Code
C-U300007



Optics - SPOT
Light distribution: spot,Cover material: uv resistant polycarbonate

Code
C-U300015



Optics - FLOOD
Light distribution: flood,Cover material: ,uv resistant polycarbonate,uv resistant polycarbonate,uv resistant polycarbonate

Code
C-U300016



Optics - WIDE FLOOD
Light distribution: medium flood,Cover material: ,uv resistant polycarbonate,uv resistant polycarbonate,uv resistant polycarbonate

Code
C-U300017