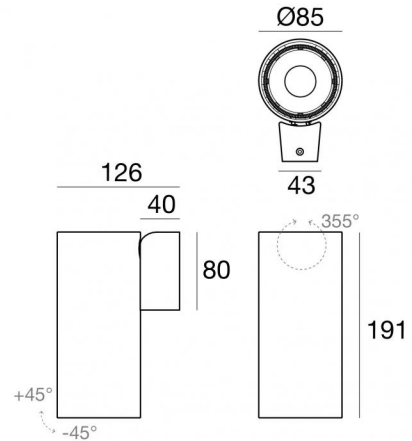


# Pound\_Wall



Wall Lights | 108-305 V AC /170-280 V DC  
1 arrayLED 26 W DC - 29 W AC | CRI 90  
**81999M15**



Technical data	
Type	Surface
Installation position	Wall lights
Installation environment	Indoor
Light Source	LED
Circuit structure	arrayLED
Optics	Spot
Light emission direction	downward
Nominal power	26 W DC
Total Power	29 W
Source lumens	4295 lm
Nominal input voltage	220 - 240 V AC
Input voltage range	108 - 305 V AC
Frequency	50 - 60 Hz
CCT / Tone	2700 K
Colour rendering index	90 Ra
C.C. / C.V.	AC
Safety class	1
IP	IP20
Glow wire test	850°
Direct mounting on normally flammable surfaces	Yes
CE	Yes
Driver included	Driver
Dimmable article	No
Directional	Swivelling
total angle (vertical plane)	90 °
total angle (horizontal plane)	355 °
Tilting	No
Walk-over	No
Drive-over	No
Cable included	No
Resin potting	No
Type of light emission	Single emission
Net weight	1.2 Kg
Electrostatic discharge protection	Yes
Surge protection	2 KV
Optics technology	Anti - Glare

## Finishing casing

Material	Die-cast Aluminium EN AB - 46100
Colour	White
Processing	Powder coating

The driver contained in the device complies with IEC 61347-2-13 annex J, and can therefore be powered by centralized power systems.



Wall Lights | 108-305 V AC /170-280 V DC | 1 arrayLED 26 W DC - 29 W AC | CRI 90 | Base 81999M15

Single emission wall lights for indoor application. The super warm white LED light source with a spot light distribution is composed of 1 arrayed LEDs with CCT of 2700 K and a CRI 90; the source luminous flux is 4295 lm, with a 165.2 lm/W nominal luminous efficacy.

The device body is made of die-cast aluminium en ab - 46100 and features a white finish, processed by means of powder coating. The ingress protection degree is IP20; the total weight is of 1.2 kg.

The total absorbed power is 29 W.

The device features protection class I and can be wall lights-mounted.

Compliant with the EN 60598-1 standard and its specific provisions.

### Energy efficiency class

This product contains a light source of energy efficiency class E.

### Illuminotechnical Features

Light Output Ratio (LOR)	72 %
Source lumens	4295 lm
Delivered lumens	3107 lm
Consumption	29 W
Luminaire efficacy	107 lm/W
Colour temperature	2700 K
Standard Deviation of Colour Matching	2 Step MacAdam
Colour rendering index	90 Ra
Colour Rendering Index	60 R9
Black Body Locus	On
Standard Operating Ambient Temperature	-20 / +50°C
Ordinary temperature on the glass	40°C

### LED Life / Failure Ratio

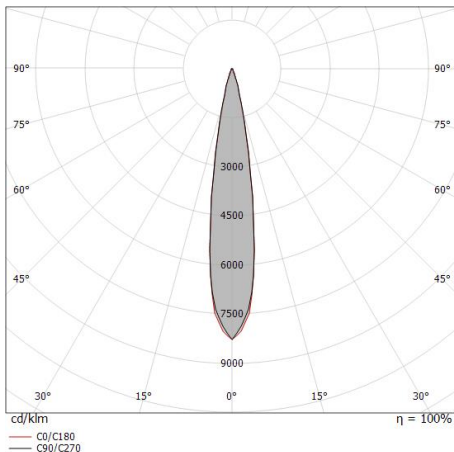
L70 B10 C0 252000h (at Tj 65 Ta 25 )

### UGR

UGR transversal	15.6
UGR axial	15.6
X=4H   Y=8H	S=0.25H
Reflection factor	70/50/20

### OPTICAL

C0/C180 optics	17°
Light distribution symmetry	Symmetrical



Distance [m]	Cone diameter [m]	illuminance [lx]
0.5	0.15 0.15	E(0°) 102931 E(C90) 8.8° 49711 E(C0) 8.7° 50402
1.0	0.31 0.31	E(0°) 25733 E(C90) 8.8° 12428 E(C0) 8.7° 12600
1.5	0.46 0.46	E(0°) 11437 E(C90) 8.8° 5523 E(C0) 8.7° 5600
2.0	0.62 0.61	E(0°) 6433 E(C90) 8.8° 3107 E(C0) 8.7° 3150
2.5	0.77 0.77	E(0°) 4117 E(C90) 8.8° 1988 E(C0) 8.7° 2016
3.0	0.93 0.92	E(0°) 2859 E(C90) 8.8° 1381 E(C0) 8.7° 1400

— C0/C180 (Half-peak divergence: 17.4°)  
— C90/C270 (Half-peak divergence: 17.6°)

### COLOR VECTOR GRAPHIC





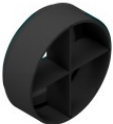
Anti-glare  
Anti-glare Type: honeycomb louvre.  
Material:Pom-C, colour:Black.

**Code**  
C-U300008



Anti-glare  
Anti-glare Type: 45° cylindrical screen.  
Material:Pom-C, colour:Black.

**Code**  
C-U300030



Anti-glare  
Anti-glare Type: cross louvres.  
Material:Pom-C, colour:Black.

**Code**  
C-U300031



Anti-glare  
Anti-glare Type: cylindrical screen.  
Material:Pom-C, colour:Black.

**Code**  
C-U300029



Diffuser  
Diffuser Type: elliptical filter

**Code**  
C-U300007



Optics - SPOT  
Light distribution: spot,Cover material: uv resistant polycarbonate

**Code**  
C-U300015



Optics - FLOOD  
Light distribution: flood,Cover material: ,uv resistant polycarbonate,uv resistant polycarbonate,uv resistant polycarbonate

**Code**  
C-U300016



Optics - WIDE FLOOD  
Light distribution: medium flood,Cover material: ,uv resistant polycarbonate,uv resistant polycarbonate,uv resistant polycarbonate

**Code**  
C-U300017