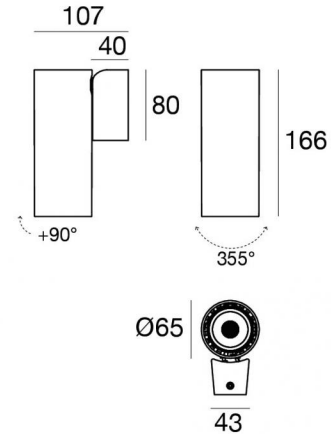


Pound_Wall



Wall Lights | 100-264 V | 1 arrayLED 17.5 W DC - 19.5 W AC | CRI 90
81997M60



Technical data	
Type	Surface
Installation position	Wall lights
Installation environment	Indoor
Light Source	LED
Circuit structure	arrayLED
Optics	Wide Flood
Light emission direction	downward
Nominal power	17.5 W DC
Total Power	19.5 W
Source lumens	2692 lm
Nominal input voltage	220 - 240 V AC
Input voltage range	100 - 264 V AC
Frequency	50 - 60 Hz
CCT / Tone	2700 K
Colour rendering index	90 Ra
C.C. / C.V.	AC
Safety class	1
IP	IP20
Glow wire test	850°
Direct mounting on normally flammable surfaces	Yes
CE	Yes
Driver included	Driver
Dimmable article	No
Directional	Swivelling
total angle (vertical plane)	90 °
total angle (horizontal plane)	355 °
Tilting	No
Walk-over	No
Drive-over	No
Cable included	No
Resin potting	No
Type of light emission	Single emission
Net weight	0.8 Kg
Electrostatic discharge protection	Yes
Surge protection	1.85 KV
Optics technology	Anti - Glare

Finishing casing	
Material	Die-cast Aluminium EN AB - 46100
Colour	White
Processing	Powder coating

Pound_Wall



Wall Lights | 100-264 V | 1 arrayLED 17.5 W DC - 19.5 W AC | CRI 90 | Base 81997M60

Single emission wall lights for indoor application. The super warm white LED light source with a wide flood light distribution is composed of 1 arrayed LEDs with CCT of 2700 K and a CRI 90; the source luminous flux is 2692 lm, with a 153.8 lm/W nominal luminous efficacy.

The device body is made of die-cast aluminium en ab - 46100 and features a white finish, processed by means of powder coating. The ingress protection degree is IP20; the total weight is of 0.8 kg.

The total absorbed power is 19.5 W.

The device features protection class I and can be wall lights-mounted.

Compliant with the EN 60598-1 standard and its specific provisions.

Energy efficiency class

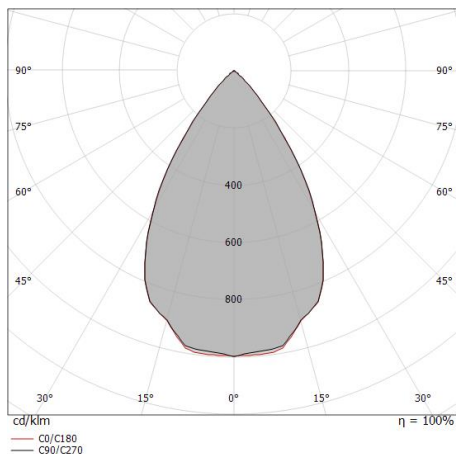
This product contains a light source of energy efficiency class E.

Illuminotechnical Features

Source lumens	2692 lm
Colour temperature	2700 K
Standard Deviation of Colour Matching	2 Step MacAdam
Colour rendering index	90 Ra
Colour Rendering Index	60 R9
Black Body Locus	On
Standard Operating Ambient Temperature	-20 / +50°C
Ordinary temperature on the glass	40°C

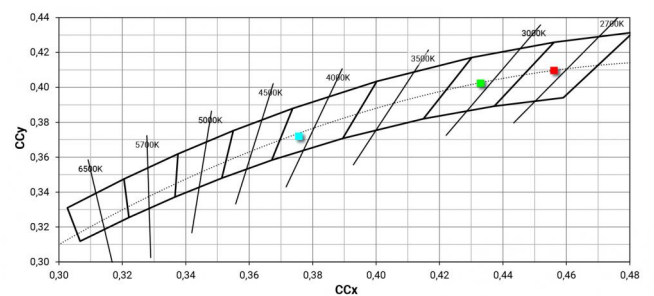
LED Life / Failure Ratio

L70 B10 C0 252000h (at Tj 65 Ta 25)



Distance [m]	Cone diameter [m]	illuminance [lx]
0.5	0.62 0.62	E(0°) 6154 E(C90) 1897 E(C0) 1901
1.0	1.24 1.24	E(0°) 1538 E(C90) 474 E(C0) 475
1.5	1.86 1.85	E(0°) 684 E(C90) 211 E(C0) 211
2.0	2.48 2.47	E(0°) 385 E(C90) 119 E(C0) 119
2.5	3.10 3.09	E(0°) 246 E(C90) 76 E(C0) 76
3.0	3.72 3.71	E(0°) 171 E(C90) 53 E(C0) 53

— C0/C180 (Half-peak divergence: 63.4°)
— C90/C270 (Half-peak divergence: 63.6°)





Optics
Light distribution: spot,Cover material: uv resistant polycarbonate

Code
99827



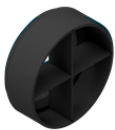
Optics
Light distribution: medium flood,Cover material: uv resistant polycarbonate

Code
99828



Optics
Light distribution: flood,Cover material: uv resistant polycarbonate

Code
99829



Anti-glare
Anti-glare Type: cross louvres.
Material:Pom-C, colour:Black.

Code
99779



Anti-glare
Anti-glare Type: honeycomb louvre.
Material:Pom-C, colour:Black.

Code
99780



Diffuser
Diffuser Type: elliptical filter.
Material:Pom-C, colour:Black.

Code
99781



Anti-glare
Anti-glare Type: 45° cylindrical screen.
Material:Pom-C, colour:Black.

Code
99782