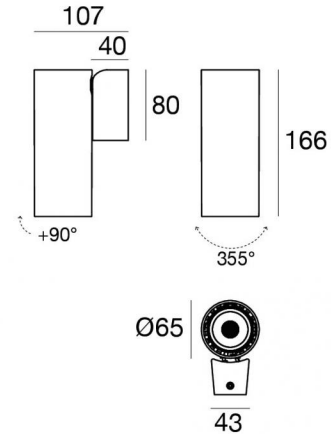


Pound_Wall



Wall Lights | 100-264 V | 1 arrayLED 17.5 W DC - 19.5 W AC | CRI 90
81997M15



Technical data	
Type	Surface
Installation position	Wall lights
Installation environment	Indoor
Light Source	LED
Circuit structure	arrayLED
Optics	Spot
Light emission direction	downward
Nominal power	17.5 W DC
Total Power	19.5 W
Source lumens	2692 lm
Nominal input voltage	220 - 240 V AC
Input voltage range	100 - 264 V AC
Frequency	50 - 60 Hz
CCT / Tone	2700 K
Colour rendering index	90 Ra
C.C. / C.V.	AC
Safety class	1
IP	IP20
Glow wire test	850°
Direct mounting on normally flammable surfaces	Yes
CE	Yes
Driver included	Driver
Dimmable article	No
Directional	Swivelling
total angle (vertical plane)	90 °
total angle (horizontal plane)	355 °
Tilting	No
Walk-over	No
Drive-over	No
Cable included	No
Resin potting	No
Type of light emission	Single emission
Net weight	0.8 Kg
Electrostatic discharge protection	Yes
Surge protection	1.85 KV
Optics technology	Anti - Glare

Finishing casing	
Material	Die-cast Aluminium EN AB - 46100
Colour	White
Processing	Powder coating



Wall Lights | 100-264 V | 1 arrayLED 17.5 W DC - 19.5 W AC | CRI 90 | Base 81997M15

Single emission wall lights for indoor application. The super warm white LED light source with a spot light distribution is composed of 1 arrayed LEDs with CCT of 2700 K and a CRI 90; the source luminous flux is 2692 lm, with a 153.8 lm/W nominal luminous efficacy.

The device body is made of die-cast aluminium en ab - 46100 and features a white finish, processed by means of powder coating. The ingress protection degree is IP20; the total weight is of 0.8 kg.

The total absorbed power is 19.5 W.

The device features protection class I and can be wall lights-mounted.

Compliant with the EN 60598-1 standard and its specific provisions.

Energy efficiency class

This product contains a light source of energy efficiency class E.

Illuminotechnical Features

Light Output Ratio (LOR)	69 %
Source lumens	2692 lm
Delivered lumens	1876 lm
Consumption	19.5 W
Luminaire efficacy	96 lm/W
Colour temperature	2700 K
Standard Deviation of Colour Matching	2 Step MacAdam
Colour rendering index	90 Ra
Colour Rendering Index	60 R9
Black Body Locus	On
Standard Operating Ambient Temperature	-20 / +50°C
Ordinary temperature on the glass	40°C

LED Life / Failure Ratio

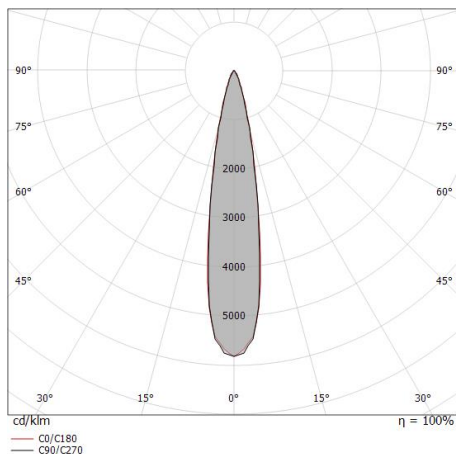
L70 B10 C0 252000h (at Tj 65 Ta 25)

UGR

UGR axial	17.1
UGR transversal	17
X=4H Y=8H	S=0.25H
Reflection factor	70/50/20

OPTICAL

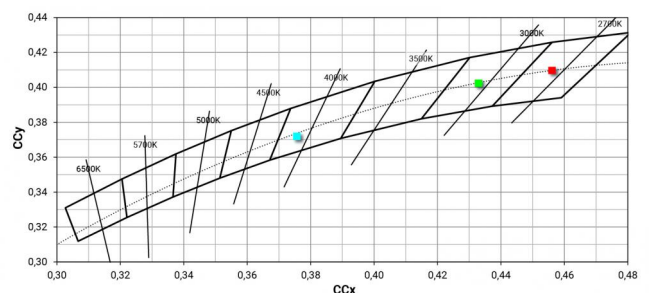
C0/C180 optics	19°
Light distribution simmetry	Symmetrical



Distance [m]	Cone diameter [m]	illuminance [lx]	E(0°)	E(C90)	E(C0)
0.5	0.17	0.17	43674	20967	20942
1.0	0.34	0.35	10919	5242	5235
1.5	0.51	0.52	4853	2330	2327
2.0	0.68	0.69	2730	1310	1309
2.5	0.85	0.86	1747	839	838
3.0	1.03	1.04	1213	582	582

— C0/C180 (Half-peak divergence: 19.6°)
— C90/C270 (Half-peak divergence: 19.4°)

COLOR VECTOR GRAPHIC





Optics
Light distribution: spot,Cover material: uv resistant polycarbonate

Code
99827



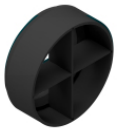
Optics
Light distribution: medium flood,Cover material: ,uv resistant polycarbonate,uv resistant polycarbonate,uv resistant polycarbonate

Code
99828



Optics
Light distribution: flood,Cover material: ,uv resistant polycarbonate,uv resistant polycarbonate,uv resistant polycarbonate

Code
99829



Anti-glare
Anti-glare Type: cross louvres.
Material:Pom-C, colour:Black.

Code
99779



Anti-glare
Anti-glare Type: honeycomb louvre.
Material:Pom-C, colour:Black.

Code
99780



Diffuser
Diffuser Type: elliptical filter.
Material:Pom-C, colour:Black.

Code
99781



Anti-glare
Anti-glare Type: 45° cylindrical screen.
Material:Pom-C, colour:Black.

Code
99782