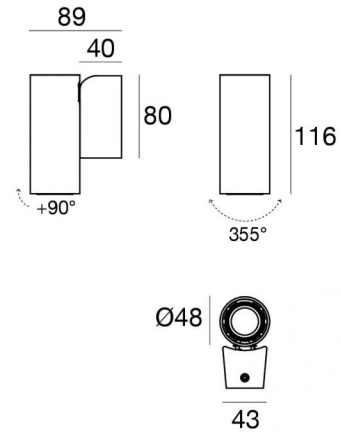


Pound_Wall



Wall Lights | arrayLED 0 W DC - 8.5 W AC | CRI 90
81996M30



Technical data	
Type	Surface
Installation position	Wall lights
Installation environment	Indoor
Light Source	LED
Circuit structure	arrayLED
Optics	Flood
Light emission direction	downward
Nominal power	0 W DC
Total Power	8.5 W
Nominal input voltage	220 - 240 V AC
Input voltage range	198 - 264 V AC
CCT / Tone	2700 K
Colour rendering index	90 Ra
C.C. / C.V.	AC
Safety class	1
IP	IP20
Glow wire test	850°
Direct mounting on normally flammable surfaces	Yes
CE	Yes
Driver included	Driver
Dimmable article	No
Directional	Swivelling
total angle (vertical plane)	90 °
total angle (horizontal plane)	355 °
Tilting	No
Walk-over	No
Drive-over	No
Cable included	No
Resin potting	No
Type of light emission	Single emission
Net weight	0.5 Kg
Electrostatic discharge protection	Yes
Surge protection	2 KV
Optics technology	Anti - Glare

Finishing casing	
Material	Die-cast Aluminium EN AB - 46100
Colour	Black
Processing	Powder coating



Optics
Light distribution: spot,Cover material: uv resistant polycarbonate

Code
99805



Optics
Light distribution: medium flood,Cover material: ,uv resistant polycarbonate,uv resistant polycarbonate,uv resistant polycarbonate

Code
99806



Optics
Light distribution: flood,Cover material: ,uv resistant polycarbonate,uv resistant polycarbonate,uv resistant polycarbonate

Code
99807



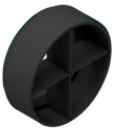
Diffuser
Diffuser Type: elliptical filter.
Material:Pom-C, colour:Black.

Code
99775



Anti-glare
Anti-glare Type: honeycomb louvre.
Material:Pom-C, colour:Black.

Code
99776



Anti-glare
Anti-glare Type: cross louvres.
Material:Pom-C, colour:Black.

Code
99777



Anti-glare
Anti-glare Type: cylindrical screen.
Material:Pom-C, colour:Black.

Code
99774



Anti-glare
Anti-glare Type: 45° cylindrical screen.
Material:Pom-C, colour:Black.

Code
99773