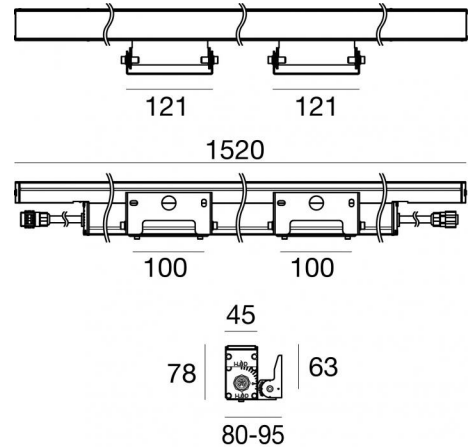


Archiline_W



Wall Lights - Lines | 220-240 V
28 x powerLEDs 55 W DC - 61.5 W AC | CRI 80
81614W06



Technical data	
Type	- - Surface
Installation position	Wall lights
Installation environment	Outdoor
Light Source	LED
Circuit structure	powerLEDs
Optics	Ultra Spot
Light emission direction	upward
Nominal power	55 W DC
Total Power	61.5 W
Source lumens	7952 lm
Nominal input voltage	220 - 240 V AC
Input voltage range	220 - 240 V AC
Frequency	50 - 60 Hz
CCT / Tone	3000 K
Colour rendering index	80 Ra
C.C. / C.V.	AC
Safety class	1
IP	IP67
IK	IK10
Glow wire test	850°
Direct mounting on normally flammable surfaces	Yes
CE	Yes
Driver included	Driver
Dimmable article	DALI
Directional	Swivelling
total angle (horizontal plane)	90 °
Tilting	No
Walk-over	No
Drive-over	No
Cable included	Yes
Cable length	0.2 m
Resin potting	No
Type of light emission	Single emission
Net weight	4,20 Kg
Electrostatic discharge protection	4 KV
Surge protection	4 KV
Product technological characteristics	TCS - TVS

Finishing casing

Material	Aluminium 6060
Colour	Anodised Aluminum
Processing	20 µm anodizing

Finishing diffuser

Material	Extra clear glass - Tempered
Colour	transparent
Processing	Silk-screening

Finishing bracket

Material	AISI 316 steel
Colour	steel



Wall Lights - Lines | 220-240 V | 28 x powerLEDs 55 W DC - 61.5 W AC | CRI 80 | Base
81614W06

Energy efficiency class

This product contains 5 light sources of energy efficiency class D.

Illuminotechnical Features

Light Output Ratio (LOR)	73 %
Source lumens	7952 lm
Delivered lumens	5861 lm
Consumption	61.5 W
Luminaire efficacy	95 lm/W
Colour temperature	3000 K
Standard Deviation of Colour Matching	1.5 Step
Colour rendering index	80 Ra
Standard Operating Ambient Temperature -20 / +50°C	
Ordinary temperature on the glass 40°C	

LED Life / Failure Ratio

L70 B10 C0 361980h (at Tj 60 Ta 25)

UGR

UGR axial	14.1
UGR transversal	16.8
X=4H Y=8H	S=0.25H
Reflection factor	70/50/20

OPTICAL

C0/C180 optics	14°
Light distribution simmetry	Symmetrical

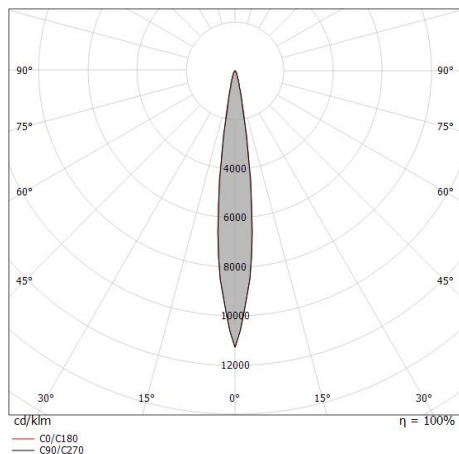
Single emission wall lights or lines for outdoor application. The warm white LED light source with a ultra spot light distribution is composed of 28 powered LEDs with CCT of 3000 K and a CRI 80; the source luminous flux is 7952 lm, with a 144.6 lm/W nominal luminous efficacy.

The device body is made of aluminium 6060 and features a anodised aluminum finish, processed by means of 20 µm anodizing; the diffuser is made of extra clear glass - tempered with a silk-screening treatment. The ingress protection degree is IP67;

The total absorbed power is 61.5 W. The power supply cable is included and features a 0.2 m length.

The device features protection class I and can be wall lights-mounted.

Compliant with the EN 60598-1 standard and its specific provisions.



Distance [m]	Cone diameter [m]	Illuminance [lx]
0.5	0.12 0.12	E(0°) 264312 E(C90) 6.9° 129679 E(C0) 6.8° 130978
1.0	0.24 0.24	E(0°) 66078 E(C90) 6.9° 32420 E(C0) 6.8° 32744
1.5	0.36 0.36	E(0°) 29368 E(C90) 6.9° 14409 E(C0) 6.8° 14553
2.0	0.48 0.48	E(0°) 16520 E(C90) 6.9° 8105 E(C0) 6.8° 8186
2.5	0.61 0.60	E(0°) 10572 E(C90) 6.9° 5187 E(C0) 6.8° 5239
3.0	0.73 0.72	E(0°) 7342 E(C90) 6.9° 3602 E(C0) 6.8° 3638

Distance [m] Cone diameter [m] Illuminance [lx]

— C0/C180 (Half-peak divergence: 13.6°)
— C90/C270 (Half-peak divergence: 13.8°)



	Cable and connector Length 1000 mm.	Code <u>99826</u>
	Cable and connector Length 5000 mm.	Code <u>99822</u>
	Cable and connector Length 1000 mm.	Code <u>99823</u>
	Cable and connector Length 5000 mm.	Code <u>99824</u>
	Cable and connector Length 10000 mm.	Code <u>99825</u>
	Anti-glare Material:Aluminium, colour:Anodised Black, processing:Anodisation.	Finish Black Code <u>99748</u>

		Bracket installation position: wall lights L=289.5mm, H=164mm, D=123mm. Material:Galvanised Iron, colour:Grey, processing:Powder coating.	Code <u>83049</u>
--	--	--	-----------------------------