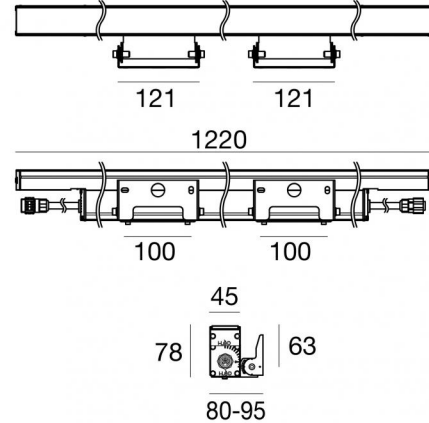




Wall Lights - Lines | 220-240 V
22 x powerLED 44.7 W DC - 50 W AC | CRI 80
81613M30



Technical data	
Type	- - Surface
Installation position	Wall lights
Installation environment	Outdoor
Light Source	LED
Circuit structure	powerLED
Optics	Medium Wide Flood
Light emission direction	upward
Nominal power	44.7 W DC
Total Power	50 W
Source lumens	6204 lm
Nominal input voltage	220 - 240 V AC
Input voltage range	220 - 240 V AC
Frequency	50 - 60 Hz
CCT / Tone	2700 K
Colour rendering index	80 Ra
C.C. / C.V.	AC
Safety class	1
IP	IP67
IK	IK10
Glow wire test	850°
Direct mounting on normally flammable surfaces	Yes
CE	Yes
Driver included	Driver
Dimmable article	DALI
Directional	Swivelling
total angle (horizontal plane)	90 °
Tilting	No
Walk-over	No
Drive-over	No
Cable included	Yes
Cable length	0.2 m
Resin potting	No
Type of light emission	Single emission
Net weight	3.5 Kg
Electrostatic discharge protection	4 KV
Surge protection	5 KV
Product technological characteristics	TCS - TVS

Finishing casing

Material	Aluminium 6060
Colour	Anodised Aluminum
Processing	20 µm anodizing

Finishing diffuser

Material	Extra clear glass - Tempered
Colour	transparent
Processing	Silk-screening

Finishing bracket

Material	AISI 316 steel
Colour	steel

Cables Electrification+signal

IP (locked condition)	68
Cable connector	Male Plug 5 Pin
Cable connector	Female Socket 5 Pin



Wall Lights - Lines | 220-240 V | 22 x powerLED 44.7 W DC - 50 W AC | CRI 80 | Base
81613M30

Single emission wall lights or lines for outdoor application. The super warm white LED light source with a medium wide flood light distribution is composed of 22 powered LEDs with CCT of 2700 K and a CRI 80; the source luminous flux is 6204 lm, with a 138.8 lm/W nominal luminous efficacy.

The device body is made of aluminium 6060 and features a anodised aluminum finish, processed by means of 20 µm anodizing; the diffuser is made of extra clear glass - tempered with a silk-screening treatment. The ingress protection degree is IP67; the total weight is of 3.5 kg.

The total absorbed power is 50 W. The power supply cable is included and features a 0.2 m length.

The device features protection class I and can be wall lights-mounted.

Compliant with the EN 60598-1 standard and its specific provisions.

Energy efficiency class

This product contains 4 light sources of energy efficiency class D.

Illuminotechnical Features

Light Output Ratio (LOR)	64 %
Source lumens	6204 lm
Delivered lumens	4005 lm
Consumption	50 W
Luminaire efficacy	80 lm/W
Colour temperature	2700 K
Standard Deviation of Colour Matching	1.5 Step
Colour rendering index	80 Ra
Standard Operating Ambient Temperature	-20 / +50°C
Ordinary temperature on the glass	40°C

LED Life / Failure Ratio

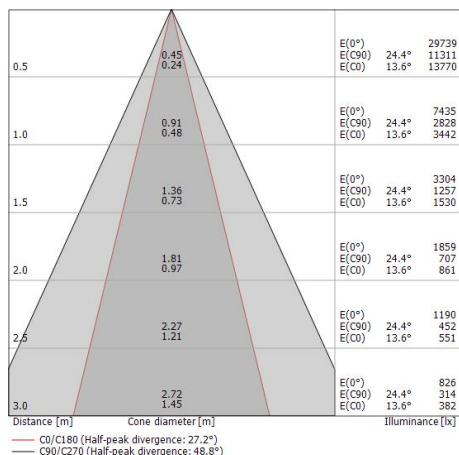
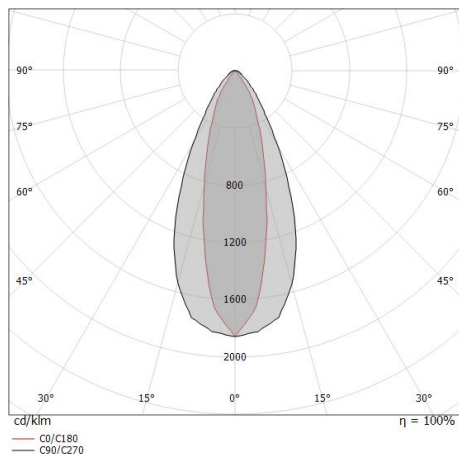
L70 B10 C0 361980h (at Tj 60 Ta 25)

UGR

UGR axial	19.8
UGR transversal	13.7
X=4H Y=8H	S=0.25H
Reflection factor	70/50/20

OPTICAL

C90/C270 optics	49°
C0/C180 optics	27°
Light distribution symmetry	Symmetrical 2 axis





	<p>Cable and connector Length 1000 mm.</p>	<p>Code <u>99826</u></p>
	<p>Cable and connector Length 5000 mm.</p>	<p>Code <u>99822</u></p>
	<p>Cable and connector Length 1000 mm.</p>	<p>Code <u>99823</u></p>
	<p>Anti-glare Material:Aluminium, colour:Anodised Black, processing:Anodisation.</p>	<p>Finish Black Code <u>98677</u></p>
	<p>Cable and connector Length 5000 mm.</p>	<p>Code <u>99824</u></p>
	<p>Cable and connector Length 10000 mm.</p>	<p>Code <u>99825</u></p>
	<p>Bracket installation position: wall lights L=289.5mm, H=164mm, D=123mm. Material:Galvanised Iron, colour:Grey, processing:Powder coating.</p>	<p>Code <u>83049</u></p>