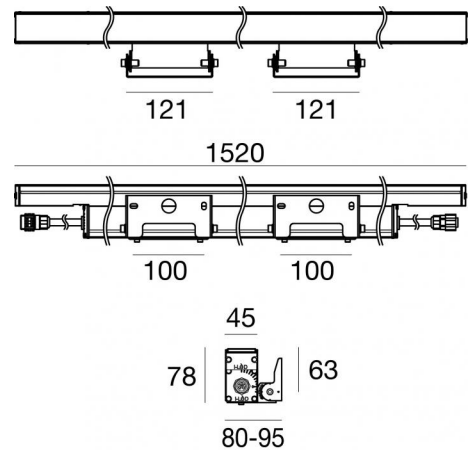




Wall Lights - Lines | 110-240 V AC /176-280 V DC
 28 x powerLEDs 59 W DC - 65 W AC | CRI 80
81513W30



Technical data	
Type	- - Surface
Installation position	Wall lights
Installation environment	Outdoor
Light Source	LED
Circuit structure	powerLEDs
Optics	Medium Wide Flood
Light emission direction	upward
Nominal power	59 W DC
Total Power	65 W
Source lumens	7952 lm
Nominal input voltage	220 - 240 V AC
Input voltage range	110 - 240 V AC
Frequency	50 - 60 Hz
CCT / Tone	3000 K
Colour rendering index	80 Ra
C.C. / C.V.	AC
Safety class	1
IP	IP67
IK	IK10
Glow wire test	850°
Direct mounting on normally flammable surfaces	Yes
CE	Yes
Driver included	Driver
Dimmable article	No
Directional	Swivelling
total angle (horizontal plane)	90 °
Tilting	No
Walk-over	No
Drive-over	No
Cable included	Yes
Cable length	0.2 m
Resin potting	No
Type of light emission	Single emission
Net weight	4,20 Kg
Electrostatic discharge protection	4 KV
Surge protection	4 KV
Product technological characteristics	TCS - TVS

Finishing casing

Material	Aluminium 6060
Colour	Anodised Aluminum
Processing	20 µm anodizing

Finishing diffuser

Material	Extra clear glass - Tempered
Colour	transparent
Processing	Silk-screening

Finishing bracket

Material	AISI 316 steel
Colour	steel

Cables Electrification

Cable connector	Female Socket 3 Pin
IP (locked condition)	68

Cable connector	Male Plug 3 pin
-----------------	-----------------



Wall Lights - Lines | 110-240 V AC /176-280 V DC | 28 x powerLEDs 59 W DC - 65 W AC |
CRI 80 | Base
81513W30

Single emission wall lights or lines for outdoor application. The warm white LED light source with a medium wide flood light distribution is composed of 28 powered LEDs with CCT of 3000 K and a CRI 80; the source luminous flux is 7952 lm, with a 134.8 lm/W nominal luminous efficacy.

The device body is made of aluminium 6060 and features a anodised aluminum finish, processed by means of 20 µm anodizing; the diffuser is made of extra clear glass - tempered with a silk-screening treatment. The ingress protection degree is IP67;

The total absorbed power is 65 W. The power supply cable is included and features a 0.2 m length.

The device features protection class I and can be wall lights-mounted.

Compliant with the EN 60598-1 standard and its specific provisions.

Energy efficiency class

This product contains 5 light sources of energy efficiency class D.

Illuminotechnical Features

Light Output Ratio (LOR)	64 %
Source lumens	7952 lm
Delivered lumens	5110 lm
Consumption	65 W
Luminaire efficacy	78 lm/W
Colour temperature	3000 K
Standard Deviation of Colour Matching	1.5 Step
Colour rendering index	80 Ra

Standard Operating Ambient Temperature	-20 / +50°C
Ordinary temperature on the glass	40°C

LED Life / Failure Ratio

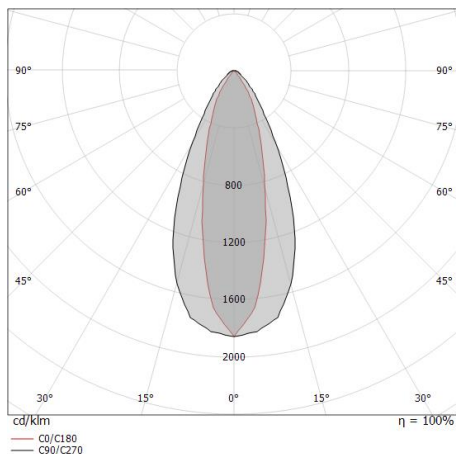
L70 B10 C0 361980h (at Tj 60 Ta 25)

UGR

UGR axial	19.9
UGR transversal	13.8
X=4H Y=8H	S=0.25H
Reflection factor	70/50/20

OPTICAL

C90/C270 optics	49°
C0/C180 optics	27°
Light distribution simmetry	Symmetrical 2 assis



Distance [m]	Cone diameter [m]	illuminance [lx]
0.5	0.45 0.24	E(0°) 37949 E(C90) 24.4° 14434 E(C0) 13.6° 17571
1.0	0.91 0.48	E(0°) 9487 E(C90) 24.4° 3608 E(C0) 13.6° 4393
1.5	1.36 0.73	E(0°) 4217 E(C90) 24.4° 1604 E(C0) 13.6° 1952
2.0	1.81 0.97	E(0°) 2372 E(C90) 24.4° 902 E(C0) 13.6° 1098
2.5	2.27 1.21	E(0°) 1518 E(C90) 24.4° 577 E(C0) 13.6° 703
3.0	2.72 1.45	E(0°) 1054 E(C90) 24.4° 401 E(C0) 13.6° 488

— C0/C180 (Half-peak divergence: 27.2°)
— C90/C270 (Half-peak divergence: 48.8°)



	<p>Cable and connector Length 2000 mm; insulation double; section 1.5 mm²; cable gland: no; external diameter: 9.5 mm; colors: blue - brown - yellow-green.</p>	<p>Code <u>99057</u></p>				
	<p>Cable and connector Length 5000 mm; insulation double; section 1.5 mm²; cable gland: no; external diameter: 9.5 mm; colors: blue - brown - yellow-green.</p>	<p>Code <u>98147</u></p>				
		<p>Cable and connector Length 10000 mm; insulation double; section 1.5 mm²; cable gland: no; external diameter: 9.5 mm; colors: blue - brown - yellow-green.</p>	<p>Code <u>98146</u></p>			
	<p>Anti-glare Material:Aluminium, colour:Anodised Black, processing:Anodisation.</p>	<table border="1"> <thead> <tr> <th>Finish</th> <th>Code</th> </tr> </thead> <tbody> <tr> <td>Black</td> <td>99748</td> </tr> </tbody> </table>	Finish	Code	Black	99748
Finish	Code					
Black	99748					