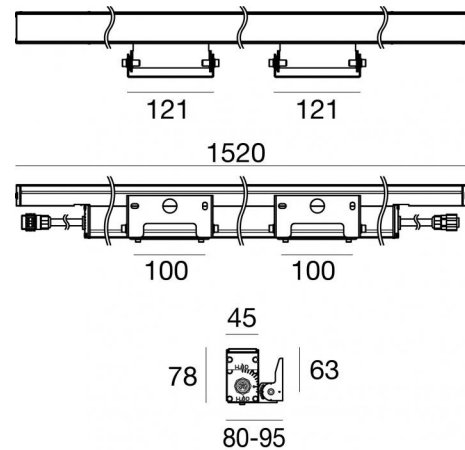




Wall Lights - Lines

x powerLEDs 0 W DC - 65 W AC | CRI 80

81513W25



Technical data	
Type	- - Surface
Installation position	Wall lights
Installation environment	Outdoor
Light Source	LED
Circuit structure	powerLEDs
Optics	Elliptical
Light emission direction	upward
Nominal power	0 W DC
Total Power	65 W
Nominal input voltage	220 - 240 V AC
Input voltage range	110 - 240 V AC
CCT / Tone	3000 K
Colour rendering index	80 Ra
C.C. / C.V.	AC
Safety class	1
IP	IP67
IK	IK10
Glow wire test	850°
Direct mounting on normally flammable surfaces	Yes
CE	Yes
Driver included	Driver
Dimmable article	No
Directional	Swivelling
total angle (horizontal plane)	90 °
Tilting	No
Walk-over	No
Drive-over	No
Cable included	Yes
Cable length	0.2 m
Resin potting	No
Type of light emission	Single emission
Net weight	4,20 Kg
Electrostatic discharge protection	4 KV
Surge protection	4 KV
Product technological characteristics	TCS - TVS

Finishing casing

Material	Aluminium 6060
Colour	Anodised Aluminum
Processing	20 µm anodizing

Finishing diffuser

Material	Extra clear glass - Tempered
Colour	transparent
Processing	Silk-screening

Finishing bracket

Material	AISI 316 steel
Colour	steel

Cables Electrification

Cable connector	Female Socket 3 Pin
IP (locked condition)	68
Cable connector	Male Plug 3 pin



	<p>Cable and connector Length 2000 mm; insulation double; section 1.5 mm²; cable gland: no; external diameter: 9.5 mm; colors: blue - brown - yellow-green.</p>	Code	<u>99057</u>	
	<p>Cable and connector Length 5000 mm; insulation double; section 1.5 mm²; cable gland: no; external diameter: 9.5 mm; colors: blue - brown - yellow-green.</p>	Code	<u>98147</u>	
		<p>Cable and connector Length 10000 mm; insulation double; section 1.5 mm²; cable gland: no; external diameter: 9.5 mm; colors: blue - brown - yellow-green.</p>	Code	<u>98146</u>
	<p>Anti-glare Material:Aluminium, colour:Anodised Black, processing:Anodisation.</p>	Finish	Code	
		Black	<u>99748</u>	