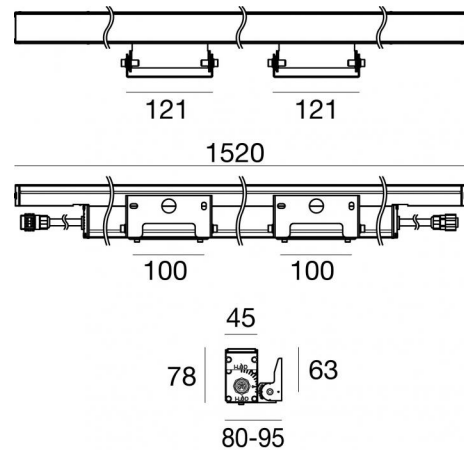




Wall Lights - Lines | 110-240 V AC /176-280 V DC
28 x powerLEDs 59 W DC - 65 W AC | CRI 80
81513W06



Technical data	
Type	- - Surface
Installation position	Wall lights
Installation environment	Outdoor
Light Source	LED
Circuit structure	powerLEDs
Optics	Ultra Spot
Light emission direction	upward
Nominal power	59 W DC
Total Power	65 W
Source lumens	7952 lm
Nominal input voltage	220 - 240 V AC
Input voltage range	110 - 240 V AC
Frequency	50 - 60 Hz
CCT / Tone	3000 K
Colour rendering index	80 Ra
C.C. / C.V.	AC
Safety class	1
IP	IP67
IK	IK10
Glow wire test	850°
Direct mounting on normally flammable surfaces	Yes
CE	Yes
Driver included	Driver
Dimmable article	No
Directional	Swivelling
total angle (horizontal plane)	90 °
Tilting	No
Walk-over	No
Drive-over	No
Cable included	Yes
Cable length	0.2 m
Resin potting	No
Type of light emission	Single emission
Net weight	4,20 Kg
Electrostatic discharge protection	4 KV
Surge protection	4 KV
Product technological characteristics	TCS - TVS

Finishing casing

Material	Aluminium 6060
Colour	Anodised Aluminum
Processing	20 µm anodizing

Finishing diffuser

Material	Extra clear glass - Tempered
Colour	transparent
Processing	Silk-screening

Finishing bracket

Material	AISI 316 steel
Colour	steel

Cables Electrification

Cable connector	Female Socket 3 Pin
IP (locked condition)	68

Cable connector	Male Plug 3 pin
-----------------	-----------------

The driver contained in the device complies with IEC 61347-2-13 annex J, and can therefore be powered by centralized power systems.



Wall Lights - Lines | 110-240 V AC /176-280 V DC | 28 x powerLEDs 59 W DC - 65 W AC |
CRI 80 | Base
81513W06

Single emission wall lights or lines for outdoor application. The warm white LED light source with a ultra spot light distribution is composed of 28 powered LEDs with CCT of 3000 K and a CRI 80; the source luminous flux is 7952 lm, with a 134.8 lm/W nominal luminous efficacy.

The device body is made of aluminium 6060 and features a anodised aluminum finish, processed by means of 20 µm anodizing; the diffuser is made of extra clear glass - tempered with a silk-screening treatment. The ingress protection degree is IP67;

The total absorbed power is 65 W. The power supply cable is included and features a 0.2 m length.

The device features protection class I and can be wall lights-mounted.

Compliant with the EN 60598-1 standard and its specific provisions.

Energy efficiency class

This product contains 5 light sources of energy efficiency class D.

Illuminotechnical Features

Light Output Ratio (LOR)	73 %
Source lumens	7952 lm
Delivered lumens	5861 lm
Consumption	65 W
Luminaire efficacy	90 lm/W
Colour temperature	3000 K
Standard Deviation of Colour Matching	1.5 Step
Colour rendering index	80 Ra

Standard Operating Ambient Temperature -20 / +50°C

Ordinary temperature on the glass 40°C

LED Life / Failure Ratio

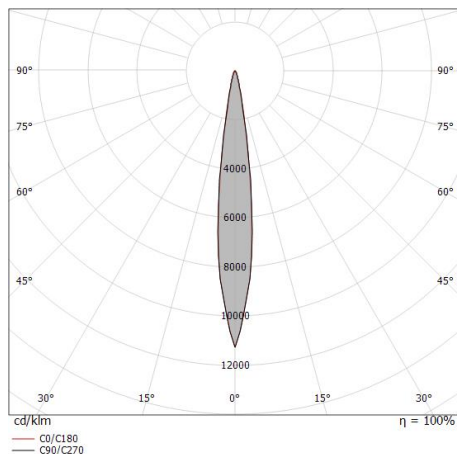
L70 B10 C0 361980h (at Tj 60 Ta 25)

UGR

UGR axial	14.1
UGR transversal	16.8
X=4H Y=8H	S=0.25H
Reflection factor	70/50/20

OPTICAL

C0/C180 optics	14°
Light distribution simmetry	Symmetrical



Distance [m]	Cone diameter [m]	Illuminance [lx]
0.5	0.12 0.12	E(0°) 264312 E(C90) 6.9° 129679 E(C0) 6.8° 130978
1.0	0.24 0.24	E(0°) 66078 E(C90) 6.9° 32420 E(C0) 6.8° 32744
1.5	0.36 0.36	E(0°) 29368 E(C90) 6.9° 14409 E(C0) 6.8° 14553
2.0	0.48 0.48	E(0°) 16520 E(C90) 6.9° 8105 E(C0) 6.8° 8186
2.5	0.61 0.60	E(0°) 10572 E(C90) 6.9° 5187 E(C0) 6.8° 5239
3.0	0.73 0.72	E(0°) 7342 E(C90) 6.9° 3602 E(C0) 6.8° 3638

Distance [m] Cone diameter [m] Illuminance [lx]

— C0/C180 (Half-peak divergence: 13.6°)
— C90/C270 (Half-peak divergence: 13.8°)



	<p>Cable and connector Length 2000 mm; insulation double; section 1.5 mm²; cable gland: no; external diameter: 9.5 mm; colors: blue - brown - yellow-green.</p>	<p>Code <u>99057</u></p>				
	<p>Cable and connector Length 5000 mm; insulation double; section 1.5 mm²; cable gland: no; external diameter: 9.5 mm; colors: blue - brown - yellow-green.</p>	<p>Code <u>98147</u></p>				
		<p>Cable and connector Length 10000 mm; insulation double; section 1.5 mm²; cable gland: no; external diameter: 9.5 mm; colors: blue - brown - yellow-green.</p>	<p>Code <u>98146</u></p>			
	<p>Anti-glare Material:Aluminium, colour:Anodised Black, processing:Anodisation.</p>	<table border="1"> <thead> <tr> <th>Finish</th> <th>Code</th> </tr> </thead> <tbody> <tr> <td>Black</td> <td>99748</td> </tr> </tbody> </table>	Finish	Code	Black	99748
Finish	Code					
Black	99748					