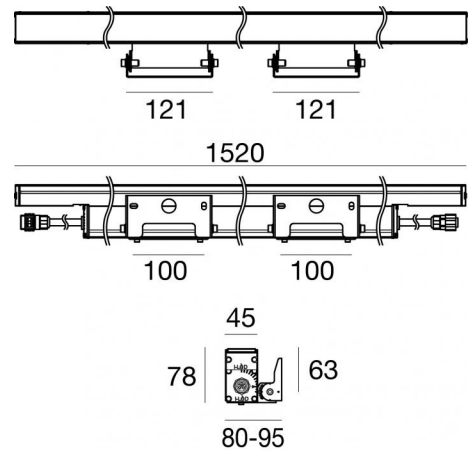




Wall Lights - Lines | 110-240 V AC /176-280 V DC  
28 x powerLEDs 59 W DC - 65 W AC | CRI 80  
**81513N60**



| Technical data                                 |                  |
|------------------------------------------------|------------------|
| Type                                           | - - Surface      |
| Installation position                          | Wall lights      |
| Installation environment                       | Outdoor          |
| Light Source                                   | LED              |
| Circuit structure                              | powerLEDs        |
| Optics                                         | Extra Wide Flood |
| Light emission direction                       | upward           |
| Nominal power                                  | 59 W DC          |
| Total Power                                    | 65 W             |
| Source lumens                                  | 8484 lm          |
| Nominal input voltage                          | 220 - 240 V AC   |
| Input voltage range                            | 110 - 240 V AC   |
| Frequency                                      | 50 - 60 Hz       |
| CCT / Tone                                     | 4000 K           |
| Colour rendering index                         | 80 Ra            |
| C.C. / C.V.                                    | AC               |
| Safety class                                   | 1                |
| IP                                             | IP67             |
| IK                                             | IK10             |
| Glow wire test                                 | 850°             |
| Direct mounting on normally flammable surfaces | Yes              |
| CE                                             | Yes              |
| Driver included                                | Driver           |
| Dimmable article                               | No               |
| Directional                                    | Swivelling       |
| total angle (horizontal plane)                 | 90 °             |
| Tilting                                        | No               |
| Walk-over                                      | No               |
| Drive-over                                     | No               |
| Cable included                                 | Yes              |
| Cable length                                   | 0.2 m            |
| Resin potting                                  | No               |
| Type of light emission                         | Single emission  |
| Net weight                                     | 4,20 Kg          |
| Electrostatic discharge protection             | 4 KV             |
| Surge protection                               | 4 KV             |
| Product technological characteristics          | TCS - TVS        |

### Finishing casing

|            |                   |
|------------|-------------------|
| Material   | Aluminium 6060    |
| Colour     | Anodised Aluminum |
| Processing | 20 µm anodizing   |

### Finishing diffuser

|            |                              |
|------------|------------------------------|
| Material   | Extra clear glass - Tempered |
| Colour     | transparent                  |
| Processing | Silk-screening               |

### Finishing bracket

|          |                |
|----------|----------------|
| Material | AISI 316 steel |
| Colour   | steel          |

### Cables Electrification

|                       |                     |
|-----------------------|---------------------|
| Cable connector       | Female Socket 3 Pin |
| IP (locked condition) | 68                  |

|                 |                 |
|-----------------|-----------------|
| Cable connector | Male Plug 3 pin |
|-----------------|-----------------|

The driver contained in the device complies with IEC 61347-2-13 annex J, and can therefore be powered by centralized power systems.



Wall Lights - Lines | 110-240 V AC /176-280 V DC | 28 x powerLEDs 59 W DC - 65 W AC |  
CRI 80 | Base  
**81513N60**

Single emission wall lights or lines for outdoor application. The natural white LED light source with a extra wide flood light distribution is composed of 28 powered LEDs with CCT of 4000 K and a CRI 80; the source luminous flux is 8484 lm, with a 143.8 lm/W nominal luminous efficacy.

The device body is made of aluminium 6060 and features a anodised aluminum finish, processed by means of 20 µm anodizing; the diffuser is made of extra clear glass - tempered with a silk-screening treatment. The ingress protection degree is IP67;

The total absorbed power is 65 W. The power supply cable is included and features a 0.2 m length.

The device features protection class I and can be wall lights-mounted.

Compliant with the EN 60598-1 standard and its specific provisions.

### Energy efficiency class

This product contains 5 light sources of energy efficiency class D.

### Illuminotechnical Features

|                                        |             |
|----------------------------------------|-------------|
| Light Output Ratio (LOR)               | 66 %        |
| Source lumens                          | 8484 lm     |
| Delivered lumens                       | 5682 lm     |
| Consumption                            | 65 W        |
| Luminaire efficacy                     | 87 lm/W     |
| Colour temperature                     | 4000 K      |
| Standard Deviation of Colour Matching  | 1.5 Step    |
| Colour rendering index                 | 80 Ra       |
| Standard Operating Ambient Temperature | -20 / +50°C |
| Ordinary temperature on the glass      | 40°C        |

### LED Life / Failure Ratio

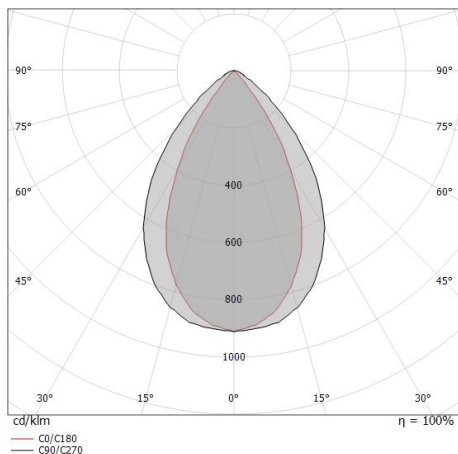
L70 B10 C0 361980h (at Tj 60 Ta 25 )

### UGR

|                   |          |
|-------------------|----------|
| UGR axial         | 21.5     |
| UGR transversal   | 14.6     |
| X=4H   Y=8H       | S=0.25H  |
| Reflection factor | 70/50/20 |

### OPTICAL

|                             |                     |
|-----------------------------|---------------------|
| C90/C270 optics             | 76°                 |
| C0/C180 optics              | 56°                 |
| Light distribution simmetry | Symmetrical 2 assis |



| Distance [m] | Cone diameter [m] | Intensity [lx]                           |
|--------------|-------------------|------------------------------------------|
| 0.5          | 0.78<br>0.53      | E(0°) 20684<br>E(C90) 5105<br>E(C0) 7159 |
| 1.0          | 1.56<br>1.06      | E(0°) 5171<br>E(C90) 1276<br>E(C0) 1790  |
| 1.5          | 2.34<br>1.60      | E(0°) 2298<br>E(C90) 567<br>E(C0) 795    |
| 2.0          | 3.11<br>2.13      | E(0°) 1293<br>E(C90) 319<br>E(C0) 447    |
| 2.5          | 3.89<br>2.66      | E(0°) 827<br>E(C90) 204<br>E(C0) 286     |
| 3.0          | 4.67<br>3.19      | E(0°) 575<br>E(C90) 142<br>E(C0) 199     |

Distance [m] Cone diameter [m] Illuminance [lx]

— C0/C180 (Half-peak divergence: 56.0°)  
— C90/C270 (Half-peak divergence: 75.8°)



|        | <p>Cable and connector<br/>           Length 2000 mm; insulation double; section 1.5 mm<sup>2</sup>; cable gland: no; external diameter: 9.5 mm; colors: blue - brown - yellow-green.</p> | <p><b>Code</b><br/> <u>99057</u></p>                                                                                                                                                       |                                      |      |       |       |
|--------|-------------------------------------------------------------------------------------------------------------------------------------------------------------------------------------------|--------------------------------------------------------------------------------------------------------------------------------------------------------------------------------------------|--------------------------------------|------|-------|-------|
|        | <p>Cable and connector<br/>           Length 5000 mm; insulation double; section 1.5 mm<sup>2</sup>; cable gland: no; external diameter: 9.5 mm; colors: blue - brown - yellow-green.</p> | <p><b>Code</b><br/> <u>98147</u></p>                                                                                                                                                       |                                      |      |       |       |
|        |                                                                                                                                                                                           | <p>Cable and connector<br/>           Length 10000 mm; insulation double; section 1.5 mm<sup>2</sup>; cable gland: no; external diameter: 9.5 mm; colors: blue - brown - yellow-green.</p> | <p><b>Code</b><br/> <u>98146</u></p> |      |       |       |
|        | <p>Anti-glare<br/>           Material:Aluminium, colour:Anodised Black, processing:Anodisation.</p>                                                                                       | <table border="1"> <thead> <tr> <th>Finish</th> <th>Code</th> </tr> </thead> <tbody> <tr> <td>Black</td> <td>99748</td> </tr> </tbody> </table>                                            | Finish                               | Code | Black | 99748 |
| Finish | Code                                                                                                                                                                                      |                                                                                                                                                                                            |                                      |      |       |       |
| Black  | 99748                                                                                                                                                                                     |                                                                                                                                                                                            |                                      |      |       |       |