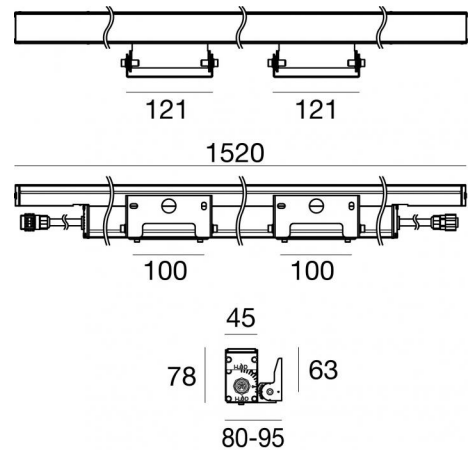




Wall Lights - Lines | 110-240 V AC /176-280 V DC  
 28 x powerLEDs 59 W DC - 65 W AC | CRI 80  
**81513N30**



Technical data	
Type	- - Surface
Installation position	Wall lights
Installation environment	Outdoor
Light Source	LED
Circuit structure	powerLEDs
Optics	Medium Wide Flood
Light emission direction	upward
Nominal power	59 W DC
Total Power	65 W
Source lumens	8484 lm
Nominal input voltage	220 - 240 V AC
Input voltage range	110 - 240 V AC
Frequency	50 - 60 Hz
CCT / Tone	4000 K
Colour rendering index	80 Ra
C.C. / C.V.	AC
Safety class	1
IP	IP67
IK	IK10
Glow wire test	850°
Direct mounting on normally flammable surfaces	Yes
CE	Yes
Driver included	Driver
Dimmable article	No
Directional	Swivelling
total angle (horizontal plane)	90 °
Tilting	No
Walk-over	No
Drive-over	No
Cable included	Yes
Cable length	0.2 m
Resin potting	No
Type of light emission	Single emission
Net weight	4,20 Kg
Electrostatic discharge protection	4 KV
Surge protection	4 KV
Product technological characteristics	TCS - TVS

### Finishing casing

Material	Aluminium 6060
Colour	Anodised Aluminum
Processing	20 µm anodizing

### Finishing diffuser

Material	Extra clear glass - Tempered
Colour	transparent
Processing	Silk-screening

### Finishing bracket

Material	AISI 316 steel
Colour	steel

### Cables Electrification

Cable connector	Female Socket 3 Pin
IP (locked condition)	68

Cable connector	Male Plug 3 pin
-----------------	-----------------



Wall Lights - Lines | 110-240 V AC /176-280 V DC | 28 x powerLEDs 59 W DC - 65 W AC |  
CRI 80 | Base  
**81513N30**

Single emission wall lights or lines for outdoor application. The natural white LED light source with a medium wide flood light distribution is composed of 28 powered LEDs with CCT of 4000 K and a CRI 80; the source luminous flux is 8484 lm, with a 143.8 lm/W nominal luminous efficacy.

The device body is made of aluminium 6060 and features a anodised aluminum finish, processed by means of 20 µm anodizing; the diffuser is made of extra clear glass - tempered with a silk-screening treatment. The ingress protection degree is IP67;

The total absorbed power is 65 W. The power supply cable is included and features a 0.2 m length.

The device features protection class I and can be wall lights-mounted.

Compliant with the EN 60598-1 standard and its specific provisions.

### Energy efficiency class

This product contains 5 light sources of energy efficiency class D.

### Illuminotechnical Features

Light Output Ratio (LOR)	64 %
Source lumens	8484 lm
Delivered lumens	5469 lm
Consumption	65 W
Luminaire efficacy	84 lm/W
Colour temperature	4000 K
Standard Deviation of Colour Matching	1.5 Step
Colour rendering index	80 Ra

Standard Operating Ambient Temperature	-20 / +50°C
Ordinary temperature on the glass	40°C

### LED Life / Failure Ratio

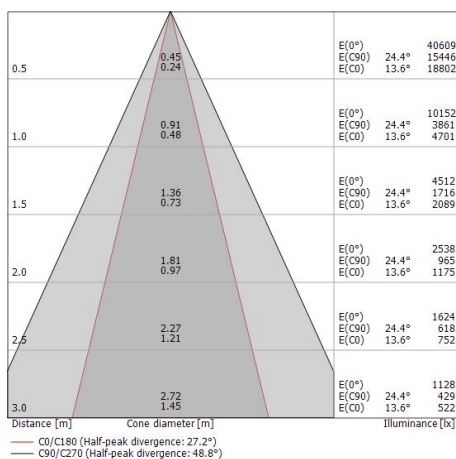
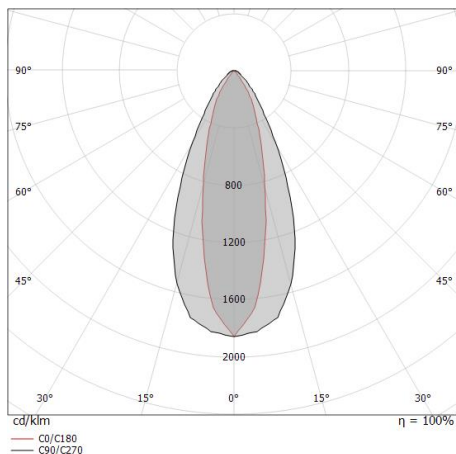
L70 B10 C0 361980h (at Tj 60 Ta 25 )

### UGR

UGR axial	20.1
UGR transversal	14.1
X=4H   Y=8H	S=0.25H
Reflection factor	70/50/20

### OPTICAL

C90/C270 optics	49°
C0/C180 optics	27°
Light distribution simmetry	Symmetrical 2 assis





	<p>Cable and connector            Length 2000 mm; insulation double; section 1.5 mm<sup>2</sup>; cable gland: no; external diameter: 9.5 mm; colors: blue - brown - yellow-green.</p>	<p><b>Code</b>  <u>99057</u></p>				
	<p>Cable and connector            Length 5000 mm; insulation double; section 1.5 mm<sup>2</sup>; cable gland: no; external diameter: 9.5 mm; colors: blue - brown - yellow-green.</p>	<p><b>Code</b>  <u>98147</u></p>				
	<p>Cable and connector            Length 10000 mm; insulation double; section 1.5 mm<sup>2</sup>; cable gland: no; external diameter: 9.5 mm; colors: blue - brown - yellow-green.</p>	<p><b>Code</b>  <u>98146</u></p>				
	<p>Anti-glare            Material:Aluminium, colour:Anodised Black, processing:Anodisation.</p>	<table border="1"> <thead> <tr> <th>Finish</th> <th>Code</th> </tr> </thead> <tbody> <tr> <td>Black</td> <td>99748</td> </tr> </tbody> </table>	Finish	Code	Black	99748
Finish	Code					
Black	99748					