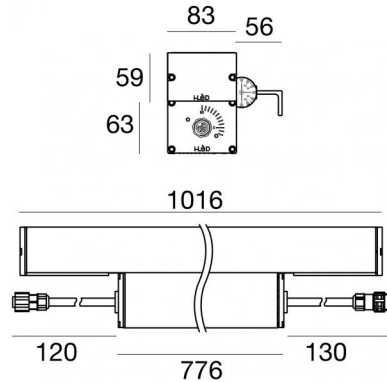


Archiline_W PRO



Wall Lights - Lines | 190-250 V
18 x powerLEDs 80.5 W DC - 89 W AC | CRI 80
81449N06



Technical data	
Type	- - Surface
Installation position	Wall lights - Ceiling
Installation environment	Outdoor
Light Source	LED
Circuit structure	powerLEDs
Optics	Ultra Spot
Light emission direction	upward
Nominal power	80.5 W DC
Total Power	89 W
Source lumens	11320 lm
Nominal input voltage	220 - 240 V AC
Input voltage range	190 - 250 V AC
CCT / Tone	4000 K
Colour rendering index	80 Ra
C.C. / C.V.	AC
Safety class	1
IP	IP67
IK	IK08
Glow wire test	850°
Direct mounting on normally flammable surfaces	Yes
CE	Yes
Driver included	Driver
Dimmable article	No
Directional	Swivelling
total angle (vertical plane)	135 °
Tilting	No
Walk-over	No
Drive-over	No
Cable included	Yes
Cable length	0.17 m
Resin potting	No
Type of light emission	Single emission
Net weight	6.2 Kg
Electrostatic discharge protection	Yes
Surge protection	6 KV
Optics technology	Dark light
Product technological characteristics	TCS - TVS

Finishing casing

Material	Aluminium 6060
Colour	Anodised Aluminum
Processing	20 µm anodizing

Finishing diffuser

Material	Extra clear glass - Tempered
Colour	transparent
Processing	Silk-screening

Finishing bracket

Material	Aluminium 6060
Colour	Anodised Aluminum
Processing	20 µm anodizing

Cables Electrification

Cable connector	Female Socket 3 Pin
IP (locked condition)	68
Cable connector	Male Plug 3 pin



Wall Lights - Lines | 190-250 V | 18 x powerLEDs 80.5 W DC - 89 W AC | CRI 80 | Base
81449N06

Single emission wall lights or lines for outdoor application. The natural white LED light source with a ultra spot light distribution is composed of 18 powered LEDs with CCT of 4000 K and a CRI 80; the source luminous flux is 11320 lm, with a 140.6 lm/W nominal luminous efficacy.

The device body is made of aluminium 6060 and features a anodised aluminum finish, processed by means of 20 µm anodizing; the diffuser is made of extra clear glass - tempered with a silk-screening treatment. The ingress protection degree is IP67; the total weight is of 6.2 kg.

The total absorbed power is 89 W. The power supply cable is included and features a 0.17 m length.

The device features protection class I and can be wall lights or ceiling-mounted.

Compliant with the EN 60598-1 standard and its specific provisions.

Energy efficiency class

This product contains 6 light sources of energy efficiency class E.

Illuminotechnical Features

Light Output Ratio (LOR)	67 %
Source lumens	11320 lm
Delivered lumens	7615 lm
Consumption	89 W
Luminaire efficacy	85 lm/W
Colour temperature	4000 K
Standard Deviation of Colour Matching	3 Step MacAdam
Colour rendering index	80 Ra

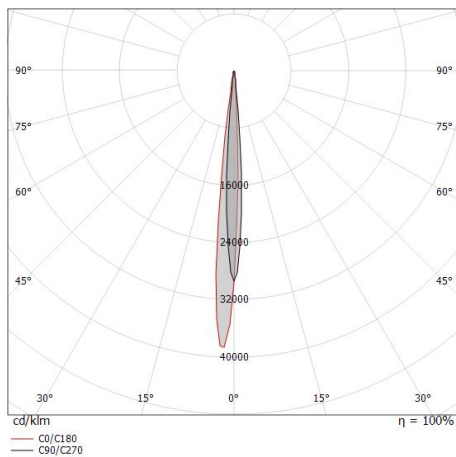
Standard Operating Ambient Temperature	-20 / +50°C
Ordinary temperature on the glass	40°C

LED Life / Failure Ratio

L70 B10 C0 247450h (at Tj 60 Ta 25)

OPTICAL

C90/C270 optics	8°
Light distribution simmetry	Asymmetrical





	<p>Cable and connector Length 2000 mm; insulation double; section 1.5 mm²; cable gland: no; external diameter: 9.5 mm; colors: blue - brown - yellow-green.</p>	<p>Code <u>99057</u></p>	
	<p>Cable and connector Length 5000 mm; insulation double; section 1.5 mm²; cable gland: no; external diameter: 9.5 mm; colors: blue - brown - yellow-green.</p>	<p>Code <u>98147</u></p>	
		<p>Cable and connector Length 10000 mm; insulation double; section 1.5 mm²; cable gland: no; external diameter: 9.5 mm; colors: blue - brown - yellow-green.</p>	<p>Code <u>98146</u></p>