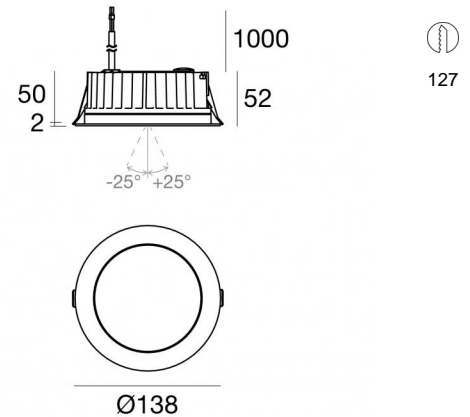




Downlights | 1 + 1 + 1 arrayLED 39 W DC 24 V
CRI 80
81246M30



| Technical data | |
|--|--|
| Type | Encasement with flange |
| Installation position | Ceiling |
| Installation environment | Outdoor |
| Light Source | LED |
| Circuit structure | arrayLED |
| Optics | Medium Flood + Medium Flood + Medium Flood |
| Light emission direction | downward + downward + downward |
| Nominal power | 39 W DC |
| Source lumens | 5628 lm |
| Input voltage range | 24 V |
| CCT / Tone | 2700 K |
| Colour rendering index | 80 Ra |
| C.C. / C.V. | CV |
| Safety class | 3 |
| IP | IP67 |
| IK | IK10 |
| Glow wire test | 850° |
| Direct mounting on normally flammable surfaces | Yes |
| CE | Yes |
| Driver included | No |
| C.V. - C.C. Converter | Converter 24V included |
| Dimmable article | DALI - 1-10V |
| Directional | No |
| Tilting | Yes |
| total angle (vertical plane) | 50 ° |
| Walk-over | No |
| Drive-over | No |
| Cable included | Yes |
| Cable length | 1 m |
| Resin potting | Yes |
| Type of light emission | Single emission |
| Net weight | 0.9 Kg |
| Electrostatic discharge protection | No |
| Surge protection | No |
| Product technological characteristics | Acquastop |

Finishing casing

| | |
|------------|--------------------------------------|
| Material | Die-cast Aluminium EN AB - 46100 |
| Colour | black |
| Processing | Open pore anodizing + Powder Coating |

Finishing diffuser

| | |
|------------|------------------------------|
| Material | Extra clear glass - Tempered |
| Colour | transparent |
| Processing | Silk-screening |

Finishing flange

| | |
|------------|-----------------|
| Material | AISI 316L steel |
| Colour | steel |
| Processing | Brushing |

Electronics



89488
On/Off Driver 190~250V AC / 180~275V DC 15 W (1 art.)



89179
On/Off Driver 198~264V AC 24 W (1 art.)



89359
On/Off Driver 198~264V AC / 180~275V DC 48 W (1 art.)



99331
On/Off Driver 198~264V AC / 176~275V DC 150 W (1 art.)



99660
DALI - 1-10V Controller 24V DC 216 W (1 art.)



C-E500023
DALI - 1-10V - Push and Simply Dim Controller 8~53V DC 576 W (1 art.)

Cables Electrification

| | |
|-----------------|----|
| Cable connector | No |
|-----------------|----|



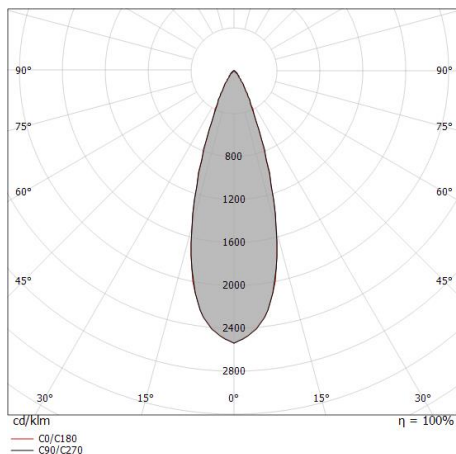
Downlights | 1 + 1 + 1 arrayLED 39 W DC 24 V | CRI 80 | Base 81246M30

Single emission recessed downlights for outdoor application. The super warm white LED light source with a medium flood light distribution is composed of 1 arrayed LEDs with CCT of 2700 K and a CRI 80; the source luminous flux is 1876 lm, with a 144.3 lm/W nominal luminous efficacy. The super warm white LED light source with a medium flood light distribution is composed of 1 arrayed LEDs with CCT of 2700 K and a CRI 80; the source luminous flux is 1876 lm, with a 144.3 lm/W nominal luminous efficacy. The super warm white LED light source with a medium flood light distribution is composed of 1 arrayed LEDs with CCT of 2700 K and a CRI 80; the source luminous flux is 1876 lm, with a 144.3 lm/W nominal luminous efficacy.

The device body is made of die-cast aluminium en ab - 46100 and features a black finish, processed by means of open pore anodizing + powder coating; the diffuser is made of extra clear glass - tempered with a silk-screening treatment. The ingress protection degree is IP67; the total weight is of 0.9 kg.

The total absorbed power is 39 W. The power supply cable is included and features a 1 m length.

The device features protection class III and can be ceiling-mounted, with a 127 mm diameter hole (in plasterboard) with an outer casing, code 99749 (for concrete or masonry).



c provisions.

| Distance [m] | Cone diameter [m] | illuminance [lx] |
|--------------|-------------------|--|
| 0.5 | 0.30 0.30 | E(0°) 13373 E(C90) 5916 E(C0) 5875 |
| 1.0 | 0.60 0.61 | E(0°) 3343 E(C90) 1479 E(C0) 1469 |
| 1.5 | 0.91 0.91 | E(0°) 1486 E(C90) 657 E(C0) 653 |
| 2.0 | 1.21 1.22 | E(0°) 836 E(C90) 370 E(C0) 367 |
| 2.5 | 1.51 1.52 | E(0°) 535 E(C90) 237 E(C0) 235 |
| 3.0 | 1.81 1.82 | E(0°) 371 E(C90) 164 E(C0) 163 |

Distance [m] Cone diameter [m] illuminance [lx]

— C0/C180 (Half-peak divergence: 33.8°)
— C90/C270 (Half-peak divergence: 33.6°)

Energy efficiency class

This product contains 3 light sources of energy efficiency class E.

Illuminotechnical Features

| | |
|---------------------------------------|----------------|
| Light Output Ratio (LOR) | 23 % |
| Source lumens | 5628 lm |
| Delivered lumens | 1318 lm |
| Consumption | 13 W |
| Luminaire efficacy | 101 lm/W |
| Colour temperature | 2700 K |
| Standard Deviation of Colour Matching | 2 Step MacAdam |
| Colour rendering index | 80 Ra |

Standard Operating Ambient Temperature -20 / +50°C

Ordinary temperature on the glass 40°C

LED Life / Failure Ratio

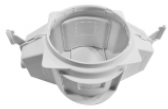
L70 B10 C0 296960h (at Tj 65 Ta 25)

UGR

| | |
|-------------------|----------|
| UGR axial | 15.2 |
| UGR transversal | 14.7 |
| X=4H Y=8H | S=0.25H |
| Reflection factor | 70/50/20 |

OPTICAL

| | |
|-----------------------------|-------------|
| C0/C180 optics | 34° |
| Light distribution simmetry | Symmetrical |



Outer casing - (to be completed with universal grill 99750)
installation position: ceiling; type of installation: masonry L=290mm, H=125mm, D=190mm

Code
99749



Accessories for outer casings - Universal grille for outer casing 99749

Code
99750