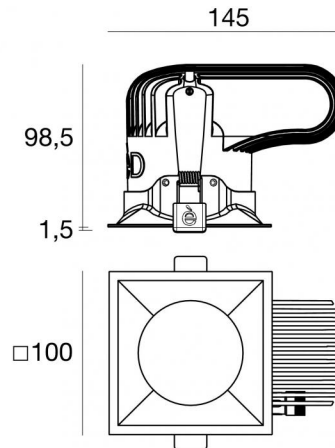




Downlights | 1 arrayLED 25 W DC 700 mA | CRI 90
80840N30



93

| Technical data | |
|--|------------------------|
| Type | Encasement with flange |
| Installation position | Ceiling |
| Installation environment | Indoor |
| Light Source | LED |
| Circuit structure | arrayLED |
| Optics | 30° |
| Light emission direction | downward |
| Nominal power | 25 W DC |
| Source lumens | 4192 lm |
| Input voltage range | 700mA |
| CCT / Tone | 4000 K |
| Colour rendering index | 90 Ra |
| C.C. / C.V. | CC |
| Safety class | 3 |
| IP | IP44 |
| Optical compartment IP | IP65 |
| IK | IK08 |
| Glow wire test | 850° |
| Direct mounting on normally flammable surfaces | Yes |
| CE | Yes |
| Driver included | No |
| Dimmable article | DALI - 1-10V |
| Directional | No |
| Tilting | No |
| Walk-over | No |
| Drive-over | No |
| Cable included | Yes |
| Cable length | 0.300 m |
| Resin potting | No |
| Type of light emission | Single emission |
| Net weight | 0.68 Kg |
| Electrostatic discharge protection | No |
| Surge protection | No |
| Optics technology | Honey comb |

Finishing casing

| | |
|------------|----------------------------------|
| Material | Die-cast Aluminium EN AB - 46100 |
| Colour | Black |
| Processing | Powder coating |

Finishing diffuser

| | |
|----------|----------------------------|
| Material | UV Resistant Polycarbonate |
| Colour | transparent |

Finishing radiator

| | |
|------------|----------------------------------|
| Material | Die-cast Aluminium EN AB - 46100 |
| Colour | Aluminium |
| Processing | Polishing |

Electronics



99112
On/Off Driver 198-264V AC



83066
1-10V - Push and Simply Dim - DALI-2 Controller



C-E100031
DALI - Push and Simply Dim Multi Power 198-264V AC / 180-275V DC

Cables Electrification

Cable connector Male Easy plug

IP (locked condition) 66

Cable connector Female Easy plug



Downlights | 1 arrayLED 25 W DC 700 mA | CRI 90 | Base 80840N30

Single emission recessed downlights for indoor application. The natural white LED light source is composed of 1 arrayLEDs with CCT of 4000 K and a CRI 90; the source luminous flux is 4192 lm, with a 167.7 lm/W nominal luminous efficacy.

The device body is made of die-cast aluminium en ab - 46100 and features a black finish, processed by means of powder coating; the diffuser is made of uv resistant polycarbonate. The ingress protection degree is IP44; the total weight is of 0.68 kg. The power supply driver is not provided and is to be ordered separately.

The total absorbed power is 25 W. The power supply cable is included and features a 0.300 m length.

The device features protection class III and can be ceiling-mounted, with a 93 x 93 mm hole (in plasterboard).

Compliant with the EN 60598-1 standard and its specific provisions.

Energy efficiency class

This product contains a light source of energy efficiency class E.

Illuminotechnical Features

| | |
|--|----------------|
| Light Output Ratio (LOR) | 32 % |
| Source lumens | 4192 lm |
| Delivered lumens | 1353 lm |
| Consumption | 18 W |
| Luminaire efficacy | 75 lm/W |
| Colour temperature | 4000 K |
| Standard Deviation of Colour Matching | 2 Step MacAdam |
| Colour rendering index | 90 Ra |
| Standard Operating Ambient Temperature | -20 / +50°C |
| Ordinary temperature on the glass | 40°C |

LED Life / Failure Ratio

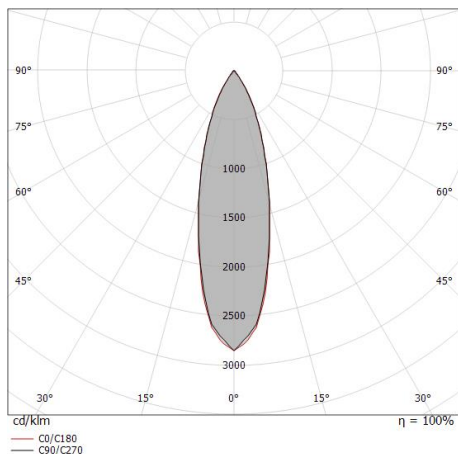
L70 B10 C0 252000h (at Tj 65 Ta 25)

UGR

| | |
|-------------------|----------|
| UGR transversal | 13.4 |
| UGR axial | 13.6 |
| X=4H Y=8H | S=0.25H |
| Reflection factor | 70/50/20 |

OPTICAL

| | |
|-----------------------------|-------------|
| C0/C180 optics | 29° |
| Light distribution simmetry | Symmetrical |



| Distance [m] | Cone diameter [m] | illuminance [lx] |
|--------------|-------------------|--|
| 0.5 | 0.26 0.26 | E(0°) 15409 E(C90) 14.6° 7003 E(C0) 14.7° 6975 |
| 1.0 | 0.52 0.52 | E(0°) 3852 E(C90) 14.6° 1751 E(C0) 14.7° 1744 |
| 1.5 | 0.78 0.79 | E(0°) 1712 E(C90) 14.6° 778 E(C0) 14.7° 775 |
| 2.0 | 1.04 1.05 | E(0°) 963 E(C90) 14.6° 438 E(C0) 14.7° 436 |
| 2.5 | 1.30 1.31 | E(0°) 616 E(C90) 14.6° 280 E(C0) 14.7° 279 |
| 3.0 | 1.56 1.57 | E(0°) 428 E(C90) 14.6° 195 E(C0) 14.7° 194 |

Distance [m] Cone diameter [m] illuminance [lx]

— C0/C180 (Half-peak divergence: 29.4°)
— C90/C270 (Half-peak divergence: 29.2°)

Downlights | 1 arrayLED 25 W DC 700 mA | CRI 90 | Base 80840N30

Single emission recessed downlights for indoor application. The natural white LED light source is composed of 1 arrayLEDs with CCT of 4000 K and a CRI 90; the source luminous flux is 4192 lm, with a 167.7 lm/W nominal luminous efficacy.

The device body is made of die-cast aluminium en ab - 46100 and features a black finish, processed by means of powder coating; the diffuser is made of uv resistant polycarbonate. The ingress protection degree is IP44; the total weight is of 0.68 kg. The power supply driver is not provided and is to be ordered separately.

The total absorbed power is 25 W. The power supply cable is included and features a 0.300 m length.

The device features protection class III and can be ceiling-mounted, with a 93 x 93 mm hole (in plasterboard).

Compliant with the EN 60598-1 standard and its specific provisions.

Energy efficiency class

This product contains a light source of energy efficiency class E.

Illuminotechnical Features

| | |
|---------------------------------------|----------------|
| Light Output Ratio (LOR) | 43 % |
| Source lumens | 4192 lm |
| Delivered lumens | 1811 lm |
| Consumption | 25 W |
| Luminaire efficacy | 72 lm/W |
| Colour temperature | 4000 K |
| Standard Deviation of Colour Matching | 2 Step MacAdam |
| Colour rendering index | 90 Ra |

| | |
|--|-------------|
| Standard Operating Ambient Temperature | -20 / +50°C |
| Ordinary temperature on the glass | 40°C |

LED Life / Failure Ratio

L70 B10 C0 252000h (at Tj 65 Ta 25)

UGR

| | |
|-------------------|----------|
| UGR transversal | 14.5 |
| UGR axial | 14.6 |
| X=4H Y=8H | S=0.25H |
| Reflection factor | 70/50/20 |

OPTICAL

| | |
|-----------------------------|-------------|
| C0/C180 optics | 29° |
| Light distribution simmetry | Symmetrical |

