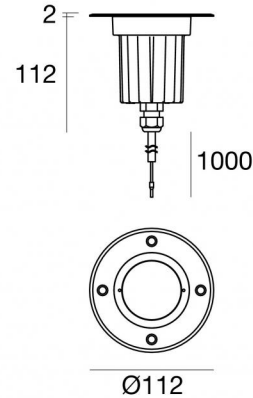


Suelo_RX Pro



Uplights | 1 x powerLED 8 W DC 630 mA | CRI 80
80561W06



Technical data	
Type	Drive Over
Installation position	Floor
Installation environment	Outdoor
Light Source	LED
Circuit structure	powerLED
Optics	Ultra Spot
Light emission direction	upward
Nominal power	8 W DC
Source lumens	945 lm
Input voltage range	630mA
CCT / Tone	3000 K
Colour rendering index	80 Ra
C.C. / C.V.	CC
Safety class	3
IP	IP68
Installation limitations	Not for underwater use
IK	IK10
Glow wire test	850°
Direct mounting on normally flammable surfaces	Yes
CE	Yes
Driver included	No
Dimmable article	DALI - 1-10V
Directional	No
Tilting	No
Walk-over	Yes
Drive-over	2500 Kg
Cable included	Yes
Cable length	1 m
Resin potting	Yes
Type of light emission	Single emission
Net weight	0.700 Kg
Electrostatic discharge protection	No
Surge protection	No
Optics technology	Set-back low glare optics
Product technological characteristics	Acquastop - TVS

Finishing casing

Material	Die-cast Aluminium EN AB - 46100
Colour	black
Processing	Open pore anodizing + Powder Coating

Finishing diffuser

Material	Extra clear glass - Tempered
Colour	transparent

Finishing flange

Material	AISI 316L steel
Colour	steel
Processing	Brushing

Electronics



99186
On/Off Driver 198~264V AC (1 - 3 art.)



C-E200008
On/Off Driver 198~264V AC / 180~275V DC (1 art.)

Cables Electrification

Cable connector	No
-----------------	----



Uplights | 1 x powerLED 8 W DC 630 mA | CRI 80 | Base 80561W06

Single emission uplights for outdoor application. The warm white LED light source with a ultra spot light distribution is composed of 1 powered LEDs with CCT of 3000 K and a CRI 80; the source luminous flux is 945 lm, with a 118.1 lm/W nominal luminous efficacy.

The device body is made of die-cast aluminium en ab - 46100 and features a black finish, processed by means of open pore anodizing + powder coating; the diffuser is made of extra clear glass - tempered. The ingress protection degree is IP68; the total weight is of 0.700 kg. The power supply driver is not provided and is to be ordered separately.

The total absorbed power is 8 W. The power supply cable is included and features a 1 m length.

The device features protection class III and can be floor-mounted with an outer casing, code 98121(for concrete or masonry).

Compliant with the EN 60598-1 standard and its specific provisions.

Energy efficiency class

This product contains a light source of energy efficiency class E.

Illuminotechnical Features

Light Output Ratio (LOR)	61 %
Source lumens	945 lm
Delivered lumens	579 lm
Consumption	8 W
Luminaire efficacy	72 lm/W
Colour temperature	3000 K
Standard Deviation of Colour Matching	2 Step MacAdam
Colour rendering index	80 Ra

Standard Operating Ambient Temperature	-20 / +50°C
Ordinary temperature on the glass	40°C

LED Life / Failure Ratio

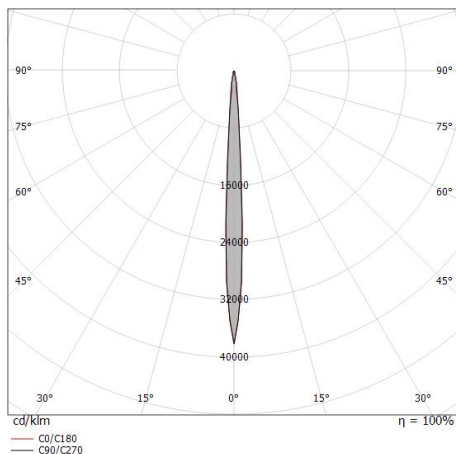
L70 B10 C0 247450h (at Tj 60 Ta 25)

UGR

UGR axial	9.9
UGR transversal	10
X=4H Y=8H	S=0.25H
Reflection factor	70/50/20

OPTICAL

C0/C180 optics	6°
Light distribution simmetry	Symmetrical



Distance [m]	Cone diameter [m]	illuminance [lx]
0.5	0.06 0.06	E(0°) 88427 E(C90) 3.2° 44662 E(C0) 3.3° 45859
1.0	0.11 0.12	E(0°) 22107 E(C90) 3.2° 11166 E(C0) 3.3° 11465
1.5	0.17 0.17	E(0°) 9825 E(C90) 3.2° 4962 E(C0) 3.3° 5095
2.0	0.22 0.23	E(0°) 5527 E(C90) 3.2° 2791 E(C0) 3.3° 2866
2.5	0.28 0.29	E(0°) 3537 E(C90) 3.2° 1786 E(C0) 3.3° 1834
3.0	0.34 0.35	E(0°) 2456 E(C90) 3.2° 1241 E(C0) 3.3° 1274



Suelo_RX Pro | Uplights | Accessories
80561W06



Outer casing

installation position: floor, land; type of installation: masonry L=110mm, H=155mm,
D=110mm.

Material:ABS Plastic, colour:black.

Code

98121