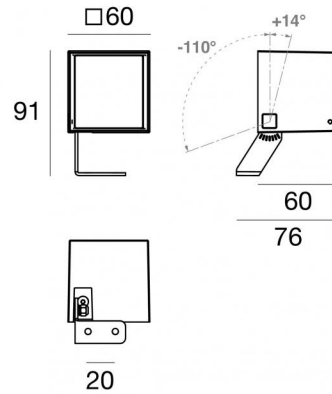


Periskop60



Projectors | 180-264 V AC /230-280 V DC
1 arrayLED 6.7 W DC - 8.7 W AC | CRI 80
77607W15



Technical data	
Type	Surface
Installation position	Wall lights - Ceiling - Floor
Installation environment	Outdoor
Light Source	LED
Circuit structure	arrayLED
Optics	Spot
Light emission direction	frontal
Nominal power	6.7 W DC
Total Power	8.7 W
Source lumens	886 lm
Nominal input voltage	220 - 240 V AC
Input voltage range	180 - 264 V AC
Frequency	50 - 60 Hz
CCT / Tone	3000 K
Colour rendering index	80 Ra
C.C. / C.V.	AC
Safety class	2
IP	IP66
IK	IK05
Glow wire test	850°
Direct mounting on normally flammable surfaces	Yes
CE	Yes
Driver included	Driver
Dimmable article	No
Directional	Swivelling
total angle (vertical plane)	124 °
Tilting	No
Walk-over	No
Drive-over	No
Cable included	Yes
Cable length	1 m
Resin potting	No
Type of light emission	Single emission
Net weight	0.325 Kg
Electrostatic discharge protection	Yes
Surge protection	1 KV

Finishing casing

Material	Die-cast Aluminium EN AB - 46100
Colour	Green
Processing	Open pore anodizing + Powder Coating

Finishing diffuser

Material	Extra clear glass - Tempered
Colour	transparent
Processing	Silk-screening

Finishing bracket

Material	AISI 304 steel
Colour	Black
Processing	Powder coating



Projectors | 180-264 V AC /230-280 V DC | 1 arrayLED 6.7 W DC - 8.7 W AC | CRI 80 |
Base
77607W15

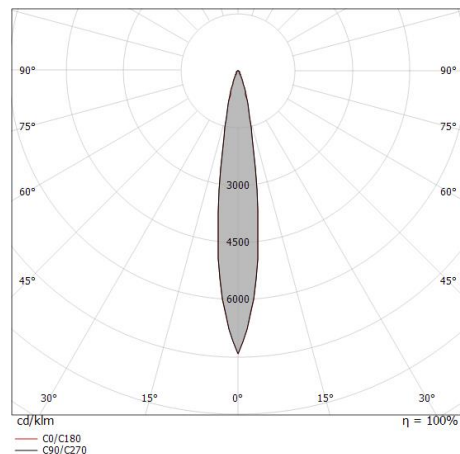
Single emission projectors for outdoor application. The warm white LED light source with a spot light distribution is composed of 1 arrayLEDs with CCT of 3000 K and a CRI 80; the source luminous flux is 886 lm, with a 132.2 lm/W nominal luminous efficacy.

The device body is made of die-cast aluminium en ab - 46100 and features a green finish, processed by means of open pore anodizing + powder coating; the diffuser is made of extra clear glass - tempered with a silk-screening treatment. The ingress protection degree is IP66; the total weight is of 0.325 kg.

The total absorbed power is 8.7 W. The power supply cable is included and features a 1 m length.

The device features protection class II and can be wall lights, ceiling or floor-mounted.

Compliant with the EN 60598-1 standard and its specific provisions.



Distance [m]	Cone diameter [m]	illuminance [lx]
0.5	0.14 0.14	E(0°) 19063 E(C90) 7.9° 9406 E(C0) 8.0° 9296
1.0	0.28 0.28	E(0°) 4766 E(C90) 7.9° 2352 E(C0) 8.0° 2324
1.5	0.42 0.42	E(0°) 2118 E(C90) 7.9° 1045 E(C0) 8.0° 1033
2.0	0.56 0.56	E(0°) 1191 E(C90) 7.9° 588 E(C0) 8.0° 581
2.5	0.69 0.70	E(0°) 763 E(C90) 7.9° 376 E(C0) 8.0° 372
3.0	0.83 0.84	E(0°) 530 E(C90) 7.9° 261 E(C0) 8.0° 258

Distance [m] Cone diameter [m] illuminance [lx]

— C0/C180 (Half-peak divergence: 16.0°)
— C90/C270 (Half-peak divergence: 15.8°)

Energy efficiency class

This product contains a light source of energy efficiency class E.

Illuminotechnical Features

Light Output Ratio (LOR)	72 %
Source lumens	886 lm
Delivered lumens	643 lm
Consumption	8.7 W
Luminaire efficacy	73 lm/W
Colour temperature	3000 K
Standard Deviation of Colour Matching	3 Step MacAdam
Colour rendering index	80 Ra
Standard Operating Ambient Temperature	-20 / +50°C
Ordinary temperature on the glass	50°C

LED Life / Failure Ratio

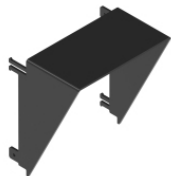
L70 B10 C0 134020h (at Tj 65 Ta 25)

UGR

UGR axial	22.6
UGR transversal	22.8
X=4H Y=8H	S=0.25H
Reflection factor	70/50/20

OPTICAL

C0/C180 optics	16°
Light distribution symmetry	Symmetrical



Anti-glare
Anti-glare Type: eyelid.
Material:AISI 304 steel, colour:Black, processing:Powder coating.

Code
83245



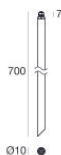
Picket
installation position: land,Cover material: pc

Code
89371



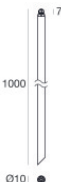
Picket - L. 160mm
installation position: land,Cover material: aisi 304 steel

Code
98624



Picket - L. 700mm
installation position: land,Cover material: aisi 304 steel

Code
C-F500002



Picket - L. 1000mm
installation position: land,Cover material: aisi 304 steel

Code
C-F500003