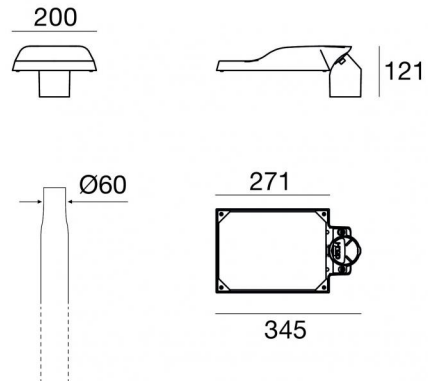


Bollard & Pole | 198-264 V
 12 x powerLEDs 37 W DC - 40 W AC | CRI 80
77382W79



Technical data	
Type	- - -
Installation position	Pole
Installation environment	Outdoor
Light Source	LED
Circuit structure	powerLEDs
Optics	Park
Light emission direction	downward
Nominal power	37 W DC
Total Power	40 W
Source lumens	4746 lm
Nominal input voltage	220 - 240 V AC
Input voltage range	198 - 264 V AC
CCT / Tone	3000 K
Colour rendering index	80 Ra
C.C. / C.V.	AC
Safety class	2
IP	IP66
IK	IK08
Glow wire test	850°
Direct mounting on normally flammable surfaces	Yes
CE	Yes
Driver included	Driver
Dimmable article	No
Directional	Swivelling
total angle (vertical plane)	20 °
total angle (horizontal plane)	0 °
Tilting	No
Walk-over	No
Drive-over	No
Cable included	Yes
Cable length	0.5 m
Resin potting	No
Type of light emission	Single emission
Surface exposed to lateral wind	0.03 m ²
Plant surface exposed to the wind	0.1 m ²
Net weight	2.2 Kg
Electrostatic discharge protection	Yes
Surge protection	5 KV
Product technological characteristics	TCS

Finishing casing	
Material	Die-cast Aluminium EN AB - 46100
Colour	Anthracite Gray RAL 7016
Processing	Powder coating
Finishing diffuser	
Material	Extra clear glass
Colour	transparent
Processing	Silk-screening

Bollard & Pole | 198-264 V | 12 x powerLEDs 37 W DC - 40 W AC | CRI 80 | Base
77382W79

Single emission bollard & pole for outdoor application. The warm white LED light source with a park light distribution is composed of 12 powered LEDs with CCT of 3000 K and a CRI 80; the source luminous flux is 4746 lm, with a 128.3 lm/W nominal luminous efficacy.

The device body is made of die-cast aluminium en ab - 46100 and features a anthracite gray ral 7016 finish, processed by means of powder coating; the diffuser is made of extra clear glass with a silk-screening treatment. The ingress protection degree is IP66; the total weight is of 2.2 kg.

The total absorbed power is 40 W. The power supply cable is included and features a 0.5 m length.

The device features protection class II and can be pole-mounted.

Compliant with the EN 60598-1 standard and its specific provisions.

Energy efficiency class

This product contains a light source of energy efficiency class D.

Illuminotechnical Features

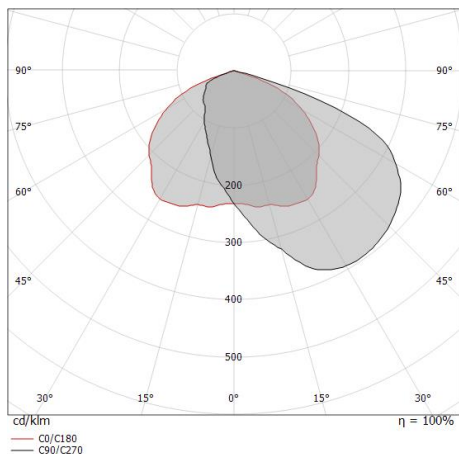
Light Output Ratio (LOR)	65 %
Source lumens	4746 lm
Delivered lumens	3127 lm
Consumption	40 W
Luminaire efficacy	78 lm/W
Colour temperature	3000 K
Standard Deviation of Colour Matching	1.5 Step
Colour rendering index	80 Ra
Standard Operating Ambient Temperature	-20 / +50°C

LED Life / Failure Ratio

L70 B10 C0 361980h (at Tj 60 Ta 25)

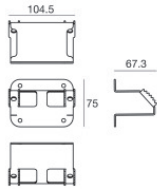
OPTICAL

C0/C180 optics	123°
Light distribution simmetry	Asymmetrical



Distance [m]	Cone diameter [m]	Illuminance [lx]
0.5	1.83	E(0°) 2905 E(C0) 178
1.0	3.67	E(0°) 726 E(C0) 44
1.5	5.50	E(0°) 323 E(C0) 20
2.0	7.34	E(0°) 182 E(C0) 11
2.5	9.17	E(0°) 116 E(C0) 7
3.0	11.00	E(0°) 81 E(C0) 5

Distance [m] Cone diameter [m] Illuminance [lx]
 — C0/C180 (Half-peak divergence: 122.8°)



Bracket

installation position: wall lights, ceiling L=104.5mm, H=75mm, D=67.3mm.

Material:AISI 304 steel, colour:steel.

Finish



Code

83404