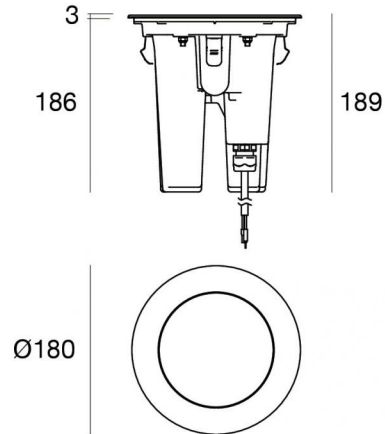




Uplights | 198-264 V AC /176-280 V DC
1 arrayLED 16 W DC - 18 W AC | CRI 80
77155W50



Technical data	
Type	Drive Over
Installation position	Floor
Installation environment	Outdoor
Light Source	LED
Circuit structure	arrayLED
Optics	Medium Wide Flood
Light emission direction	upward
Nominal power	16 W DC
Total Power	18 W
Source lumens	2634 lm
Nominal input voltage	220 - 240 V AC
Input voltage range	198 - 264 V AC
Frequency	50 - 60 Hz
CCT / Tone	3000 K
Colour rendering index	80 Ra
C.C. / C.V.	AC
Safety class	1
IP	IP68
IK	IK10
Glow wire test	850°
Direct mounting on normally flammable surfaces	No
CE	Yes
Driver included	Driver
Dimmable article	DALI-2 - PUSH DIM
Directional	No
Tilting	No
Walk-over	Yes
Drive-over	5000 Kg
Cable included	Yes
Cable length	1 m
Resin potting	Yes
Type of light emission	Single emission
Net weight	3 Kg
Electrostatic discharge protection	Yes
Surge protection	2 KV
Optics technology	Dark light
Product technological characteristics	Acquastop

Finishing casing

Material	Die-cast Aluminium EN AB - 46100
Colour	black
Processing	Open pore anodizing + Powder Coating

Finishing diffuser

Material	Extra clear glass - Tempered
Colour	transparent

Finishing flange

Material	AISI 316 steel
Colour	steel
Processing	Brushing



Uplights | 198-264 V AC /176-280 V DC | 1 arrayLED 16 W DC - 18 W AC | CRI 80 | Base
77155W50

Energy efficiency class

This product contains a light source of energy efficiency class E.

Illuminotechnical Features

Light Output Ratio (LOR)	31 %
Source lumens	2634 lm
Delivered lumens	842 lm
Consumption	18 W
Luminaire efficacy	46 lm/W
Colour temperature	3000 K
Standard Deviation of Colour Matching	2 Step MacAdam
Colour rendering index	80 Ra
Standard Operating Ambient Temperature	-20 / +50°C
Ordinary temperature on the glass	65°C

LED Life / Failure Ratio

L70 B10 C0 252000h (at Tj 65 Ta 25)

UGR

UGR axial	9
UGR transversal	8.2
X=4H Y=8H	S=0.25H
Reflection factor	70/50/20

OPTICAL

C0/C180 optics	42°
Light distribution simmetry	Symmetrical

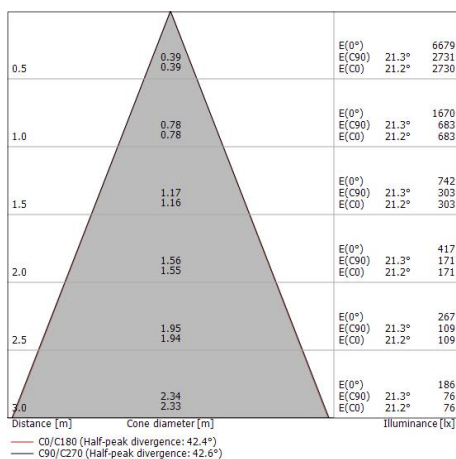
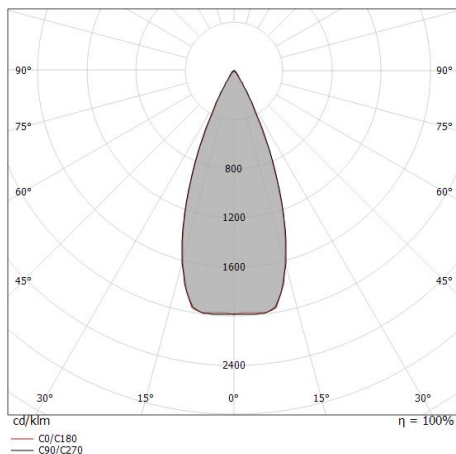
Single emission uplights for outdoor application. The warm white LED light source with a medium wide flood light distribution is composed of 1 arrayed LEDs with CCT of 3000 K and a CRI 80; the source luminous flux is 2634 lm, with a 164.6 lm/W nominal luminous efficacy.

The device body is made of die-cast aluminium en ab - 46100 and features a black finish, processed by means of open pore anodizing + powder coating; the diffuser is made of extra clear glass - tempered. The ingress protection degree is IP68; the total weight is of 3 kg.

The total absorbed power is 18 W. The power supply cable is included and features a 1 m length.

The device features protection class I and can be floor-mounted with an outer casing, code 83328(for concrete or masonry).

Compliant with the EN 60598-1 standard and its specific provisions.





Suelo_RF | Uplights | Accessories
77155W50

	<p>Accessories for outer casings - Caseback for outer casing Material:Galvanised Iron, colour:grey, processing:Galvanising.</p>	<p>Code <u>83330</u></p>
	<p>Template - Template for cementation (For version with surface mounted flange)</p>	<p>Code <u>83329</u></p>
	<p>Outer casing installation position: floor, land; type of installation: masonry L=300mm, H=210mm, D=300mm. Material:ABS Plastic, colour:black.</p>	<p>Code <u>83328</u></p>