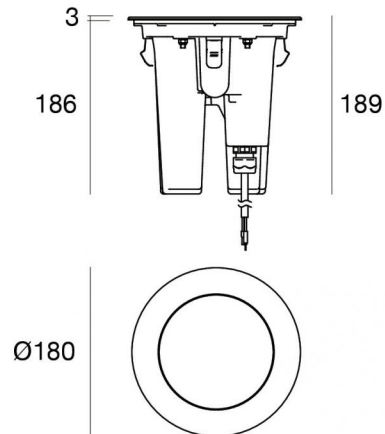




Uplights | 198-264 V AC /170-276 V DC
1 arrayLED 19 W DC - 22 W AC | CRI 80
77141M15



Technical data	
Type	Drive Over
Installation position	Floor
Installation environment	Outdoor
Light Source	LED
Circuit structure	arrayLED
Optics	Spot
Light emission direction	upward
Nominal power	19 W DC
Total Power	22 W
Source lumens	2773 lm
Nominal input voltage	220 - 240 V AC
Input voltage range	198 - 264 V AC
Frequency	50 - 60 Hz
CCT / Tone	2700 K
Colour rendering index	80 Ra
C.C. / C.V.	AC
Safety class	1
IP	IP67
IK	IK10
Glow wire test	850°
Direct mounting on normally flammable surfaces	No
CE	Yes
Driver included	Driver
Dimmable article	No
Directional	No
Tilting	No
Walk-over	Yes
Drive-over	5000 Kg
Cable included	Yes
Cable length	1 m
Resin potting	Yes
Type of light emission	Single emission
Net weight	3 Kg
Electrostatic discharge protection	Yes
Surge protection	1.5 KV
Product technological characteristics	Acquastop

Finishing casing

Material	Die-cast Aluminium EN AB - 46100
Colour	black
Processing	Open pore anodizing + Powder Coating

Finishing diffuser

Material	Extra clear glass - Tempered
Colour	transparent

Finishing flange

Material	AISI 316 steel
Colour	steel
Processing	Brushing



Uplights | 198-264 V AC /170-276 V DC | 1 arrayLED 19 W DC - 22 W AC | CRI 80 | Base 77141M15

Energy efficiency class

This product contains a light source of energy efficiency class E.

Illuminotechnical Features

Light Output Ratio (LOR)	76 %
Source lumens	2773 lm
Delivered lumens	2125 lm
Consumption	22 W
Luminaire efficacy	96 lm/W
Colour temperature	2700 K
Standard Deviation of Colour Matching	2 Step MacAdam
Colour rendering index	80 Ra
Standard Operating Ambient Temperature -20 / +50°C	
Ordinary temperature on the glass 65°C	

LED Life / Failure Ratio

L70 B10 C0 252000h (at Tj 65 Ta 25)

UGR

UGR axial	7.7
UGR transversal	7.4
X=4H Y=8H	S=0.25H
Reflection factor	70/50/20

OPTICAL

C0/C180 optics	16°
Light distribution simmetry	Symmetrical

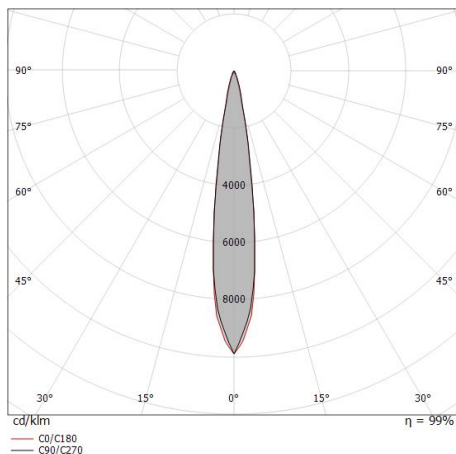
Single emission uplights for outdoor application. The super warm white LED light source with a spot light distribution is composed of 1 arrayed LEDs with CCT of 2700 K and a CRI 80; the source luminous flux is 2773 lm, with a 145.9 lm/W nominal luminous efficacy.

The device body is made of die-cast aluminium en ab - 46100 and features a black finish, processed by means of open pore anodizing + powder coating; the diffuser is made of extra clear glass - tempered. The ingress protection degree is IP67; the total weight is of 3 kg.

The total absorbed power is 22 W. The power supply cable is included and features a 1 m length.

The device features protection class I and can be floor-mounted with an outer casing, code 83328(for concrete or masonry).

Compliant with the EN 60598-1 standard and its specific provisions.



Distance [m]	Cone diameter [m]	illuminance [lx]
0.5	0.14 0.14	E(0°) 84001 E(C90) 8.0° 41475 E(C0) 7.9° 41454
1.0	0.28 0.28	E(0°) 21000 E(C90) 8.0° 10369 E(C0) 7.9° 10363
1.5	0.42 0.42	E(0°) 9333 E(C90) 8.0° 4608 E(C0) 7.9° 4606
2.0	0.56 0.56	E(0°) 5250 E(C90) 8.0° 2592 E(C0) 7.9° 2591
2.5	0.70 0.69	E(0°) 3360 E(C90) 8.0° 1659 E(C0) 7.9° 1658
3.0	0.84 0.83	E(0°) 2333 E(C90) 8.0° 1152 E(C0) 7.9° 1151

Distance [m] Cone diameter [m] illuminance [lx]

— C0/C180 (Half-peak divergence: 15.8°)
— C90/C270 (Half-peak divergence: 16.0°)

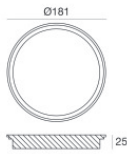


Suelo_RF | Uplights | Accessories
77141M15



Outer casing
 installation position: floor, land; type of installation: masonry L=300mm, H=210mm,
 D=300mm.
 Material:ABS Plastic, colour:black.

Code
83328



Template - Template for cementation (For version with surface mounted flange)

Code
83329



Accessories for outer casings - Caseback for outercasing
 Material:Galvanised Iron, colour:grey, processing:Galvanising.

Code
83330