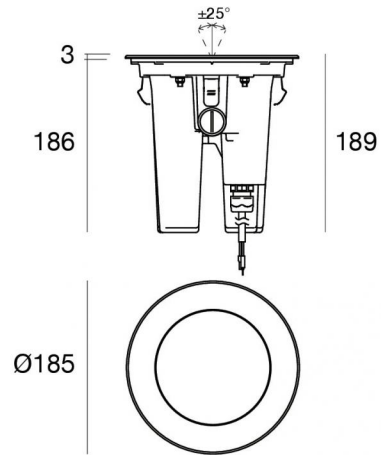




Uplights | 198-264 V
1 arrayLED 13 W DC - 15 W AC | CRI 80
77133W10



Technical data	
Type	Drive Over
Installation position	Floor
Installation environment	Outdoor
Light Source	LED
Circuit structure	arrayLED
Optics	Spot
Light emission direction	upward
Nominal power	13 W DC
Total Power	15 W
Source lumens	1750 lm
Nominal input voltage	220 - 240 V AC
Input voltage range	198 - 264 V AC
Frequency	50 - 60 Hz
CCT / Tone	3000 K
Colour rendering index	80 Ra
C.C. / C.V.	AC
Safety class	1
IP	IP68
IK	IK10
Glow wire test	850°
Direct mounting on normally flammable surfaces	No
CE	Yes
Driver included	Driver
Dimmable article	No
Directional	No
Tilting	Yes
total angle (vertical plane)	50 °
Walk-over	Yes
Drive-over	5000 Kg
Cable included	Yes
Cable length	1 m
Resin potting	Yes
Type of light emission	Single emission
Net weight	3 Kg
Electrostatic discharge protection	Yes
Surge protection	1 KV
Product technological characteristics	Acquastop

Finishing casing	
Material	Die-cast Aluminium EN AB - 46100
Colour	black
Processing	Open pore anodizing + Powder Coating
Finishing diffuser	
Material	Extra clear glass - Tempered
Colour	transparent
Finishing flange	
Material	AISI 316 steel
Colour	steel
Processing	Brushing



Uplights | 198-264 V | 1 arrayLED 13 W DC - 15 W AC | CRI 80 | Base 77133W10

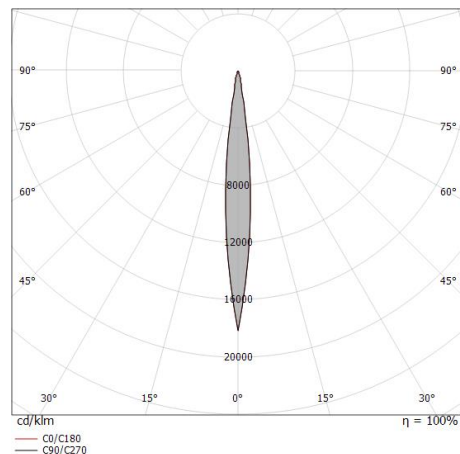
Single emission uplights for outdoor application. The warm white LED light source with a spot light distribution is composed of 1 arrayed LEDs with CCT of 3000 K and a CRI 80; the source luminous flux is 1750 lm, with a 134.6 lm/W nominal luminous efficacy.

The device body is made of die-cast aluminium en ab - 46100 and features a black finish, processed by means of open pore anodizing + powder coating; the diffuser is made of extra clear glass - tempered. The ingress protection degree is IP68; the total weight is of 3 kg.

The total absorbed power is 15 W. The power supply cable is included and features a 1 m length.

The device features protection class I and can be floor-mounted with an outer casing, code 83328(for concrete or masonry).

Compliant with the EN 60598-1 standard and its specific provisions.



Distance [m]	Cone diameter [m]	illuminance [lx]
0.5	0.30 0.29	E(0°) 97733 E(C90) 5.5° 48500 E(C0) 5.3° 48930
1.0	0.19 0.19	E(0°) 24433 E(C90) 5.5° 12125 E(C0) 5.3° 12233
1.5	0.29 0.28	E(0°) 10859 E(C90) 5.5° 5369 E(C0) 5.3° 5437
2.0	0.39 0.37	E(0°) 6108 E(C90) 5.5° 3031 E(C0) 5.3° 3058
2.5	0.48 0.46	E(0°) 3909 E(C90) 5.5° 1940 E(C0) 5.3° 1957
3.0	0.58 0.56	E(0°) 2715 E(C90) 5.5° 1347 E(C0) 5.3° 1359

— C0/C180 (Half-peak divergence: 10.6°)
— C90/C270 (Half-peak divergence: 11.0°)

Energy efficiency class

This product contains a light source of energy efficiency class E.

Illuminotechnical Features

Light Output Ratio (LOR)	76 %
Source lumens	1750 lm
Delivered lumens	1344 lm
Consumption	15 W
Luminaire efficacy	89 lm/W
Colour temperature	3000 K
Standard Deviation of Colour Matching	2 Step MacAdam
Colour rendering index	80 Ra
Standard Operating Ambient Temperature	-20 / +50°C
Ordinary temperature on the glass	65°C

LED Life / Failure Ratio

L70 B10 C0 252000h (at Tj 65 Ta 25)

UGR

UGR axial	8.2
UGR transversal	8.2
X=4H Y=8H	S=0.25H
Reflection factor	70/50/20

OPTICAL

C0/C180 optics	11°
Light distribution simmetry	Symmetrical



Suelo_RJ | Uplights | Accessories
77133W10



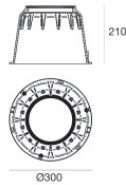
Template - Template for cementation (For version with flush flange)

Code
83331



Accessories for outer casings - Caseback for outer casing
Material:Galvanised Iron, colour:grey, processing:Galvanising.

Code
83330



Outer casing
installation position: floor, land; type of installation: masonry L=300mm, H=210mm,
D=300mm.
Material:ABS Plastic, colour:black.

Code
83328