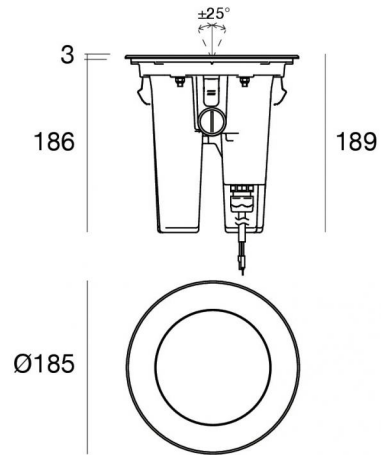




Uplights | 198-264 V AC /170-276 V DC  
1 arrayLED 19 W DC - 22 W AC | CRI 80  
**77129W50**



Technical data	
Type	Drive Over
Installation position	Floor
Installation environment	Outdoor
Light Source	LED
Circuit structure	arrayLED
Optics	Wide Flood
Light emission direction	upward
Nominal power	19 W DC
Total Power	22 W
Source lumens	2889 lm
Nominal input voltage	220 - 240 V AC
Input voltage range	198 - 264 V AC
Frequency	50 - 60 Hz
CCT / Tone	3000 K
Colour rendering index	80 Ra
C.C. / C.V.	AC
Safety class	1
IP	IP67
IK	IK10
Glow wire test	850°
Direct mounting on normally flammable surfaces	No
CE	Yes
Driver included	Driver
Dimmable article	No
Directional	No
Tilting	Yes
total angle (vertical plane)	50 °
Walk-over	Yes
Drive-over	5000 Kg
Cable included	Yes
Cable length	1 m
Resin potting	Yes
Type of light emission	Single emission
Net weight	3 Kg
Electrostatic discharge protection	Yes
Surge protection	1.5 KV
Product technological characteristics	Acquastop

Finishing casing	
Material	Die-cast Aluminium EN AB - 46100
Colour	black
Processing	Open pore anodizing + Powder Coating
Finishing diffuser	
Material	Extra clear glass - Tempered
Colour	transparent
Finishing flange	
Material	AISI 316 steel
Colour	steel
Processing	Brushing



Uplights | 198-264 V AC /170-276 V DC | 1 arrayLED 19 W DC - 22 W AC | CRI 80 | Base  
77129W50

### Energy efficiency class

This product contains a light source of energy efficiency class E.

### Illuminotechnical Features

Light Output Ratio (LOR)	68 %
Source lumens	2889 lm
Delivered lumens	1976 lm
Consumption	22 W
Luminaire efficacy	89 lm/W
Colour temperature	3000 K
Standard Deviation of Colour Matching	2 Step MacAdam
Colour rendering index	80 Ra
Standard Operating Ambient Temperature	-20 / +50°C
Ordinary temperature on the glass	65°C

### LED Life / Failure Ratio

L70 B10 C0 252000h (at Tj 65 Ta 25 )

### UGR

UGR axial	14.4
UGR transversal	14.5
X=4H   Y=8H	S=0.25H
Reflection factor	70/50/20

### OPTICAL

C0/C180 optics	51°
Light distribution simmetry	Symmetrical

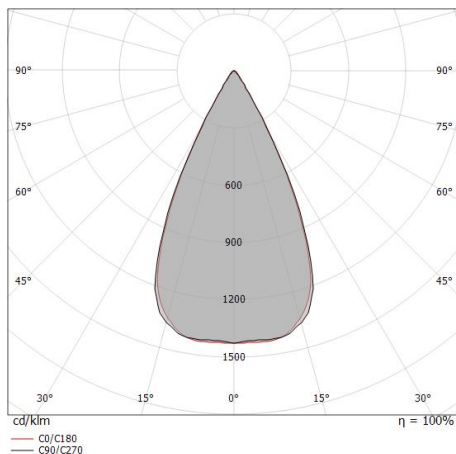
Single emission uplights for outdoor application. The warm white LED light source with a wide flood light distribution is composed of 1 arrayed LEDs with CCT of 3000 K and a CRI 80; the source luminous flux is 2889 lm, with a 152.1 lm/W nominal luminous efficacy.

The device body is made of die-cast aluminium en ab - 46100 and features a black finish, processed by means of open pore anodizing + powder coating; the diffuser is made of extra clear glass - tempered. The ingress protection degree is IP67; the total weight is of 3 kg.

The total absorbed power is 22 W. The power supply cable is included and features a 1 m length.

The device features protection class I and can be floor-mounted with an outer casing, code 83328(for concrete or masonry).

Compliant with the EN 60598-1 standard and its specific provisions.



Distance [m]	Cone diameter [m]	Intensity [lx]	E(0°)	E(C90)	E(C0)
0.5	0.49 0.48	11289	26.0°	4106	4170
1.0	0.98 0.96	2822	26.0°	1026	1042
1.5	1.46 1.44	1254	26.0°	456	463
2.0	1.95 1.93	706	26.0°	257	261
2.5	2.44 2.41	452	26.0°	164	167
3.0	2.93 2.89	314	26.0°	114	116

Distance [m]      Cone diameter [m]      Illuminance [lx]

— C0/C180 (Half-peak divergence: 51.4°)  
— C90/C270 (Half-peak divergence: 52.0°)



Suelo\_RJ | Uplights | Accessories  
**77129W50**



Outer casing

installation position: floor, land; type of installation: masonry L=300mm, H=210mm,  
D=300mm.

Material:ABS Plastic, colour:black.

**Code**

83328



Accessories for outer casings - Caseback for outer casing

Material:Galvanised Iron, colour:grey, processing:Galvanising.

**Code**

83330



Template - Template for cementation (For version with flush flange)

**Code**

83331