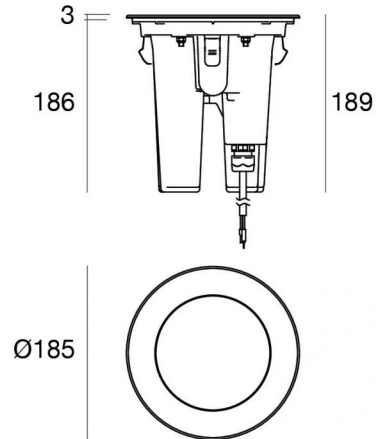




Uplights | 198-264 V AC /176-280 V DC  
1 arrayLED 16 W DC - 18 W AC | CRI 80  
**77124M30**



Technical data	
Type	Drive Over
Installation position	Floor
Installation environment	Outdoor
Light Source	LED
Circuit structure	arrayLED
Optics	Medium Flood
Light emission direction	upward
Nominal power	16 W DC
Total Power	18 W
Source lumens	2528 lm
Nominal input voltage	220 - 240 V AC
Input voltage range	198 - 264 V AC
Frequency	50 - 60 Hz
CCT / Tone	2700 K
Colour rendering index	80 Ra
C.C. / C.V.	AC
Safety class	1
IP	IP68
IK	IK10
Glow wire test	850°
Direct mounting on normally flammable surfaces	No
CE	Yes
Driver included	Driver
Dimmable article	DALI-2 - PUSH DIM
Directional	No
Tilting	No
Walk-over	Yes
Drive-over	5000 Kg
Cable included	Yes
Cable length	1 m
Resin potting	Yes
Type of light emission	Single emission
Net weight	3 Kg
Electrostatic discharge protection	Yes
Surge protection	2 KV
Optics technology	Honey comb
Product technological characteristics	Acquastop

### Finishing casing

Material	Die-cast Aluminium EN AB - 46100
Colour	black
Processing	Open pore anodizing + Powder Coating

### Finishing diffuser

Material	Extra clear glass - Tempered
Colour	transparent

### Finishing flange

Material	AISI 316 steel
Colour	steel
Processing	Brushing



Uplights | 198-264 V AC /176-280 V DC | 1 arrayLED 16 W DC - 18 W AC | CRI 80 | Base  
77124M30

### Energy efficiency class

This product contains a light source of energy efficiency class E.

### Illuminotechnical Features

Light Output Ratio (LOR)	50 %
Source lumens	2528 lm
Delivered lumens	1275 lm
Consumption	18 W
Luminaire efficacy	70 lm/W
Colour temperature	2700 K
Standard Deviation of Colour Matching	2 Step MacAdam
Colour rendering index	80 Ra
Standard Operating Ambient Temperature	-20 / +50°C
Ordinary temperature on the glass	65°C

### LED Life / Failure Ratio

L70 B10 C0 252000h (at Tj 65 Ta 25 )

### UGR

UGR axial	4.8
UGR transversal	4.8
X=4H   Y=8H	S=0.25H
Reflection factor	70/50/20

### OPTICAL

C0/C180 optics	33°
Light distribution simmetry	Symmetrical

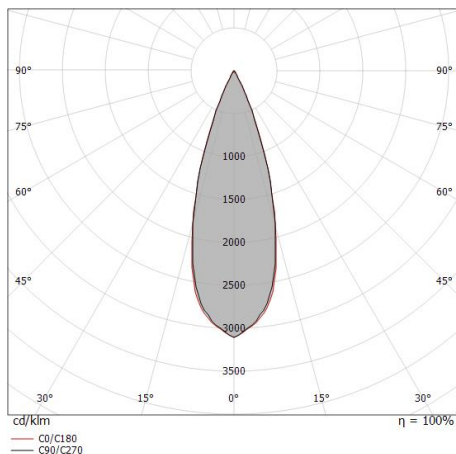
Single emission uplights for outdoor application. The super warm white LED light source with a medium flood light distribution is composed of 1 arrayed LEDs with CCT of 2700 K and a CRI 80; the source luminous flux is 2528 lm, with a 158.0 lm/W nominal luminous efficacy.

The device body is made of die-cast aluminium en ab - 46100 and features a black finish, processed by means of open pore anodizing + powder coating; the diffuser is made of extra clear glass - tempered. The ingress protection degree is IP68; the total weight is of 3 kg.

The total absorbed power is 18 W. The power supply cable is included and features a 1 m length.

The device features protection class I and can be floor-mounted with an outer casing, code 83328(for concrete or masonry).

Compliant with the EN 60598-1 standard and its specific provisions.



Distance [m]	Cone diameter [m]	illuminance [lx]
0.5	0.30 0.30	E(0°) 15840 E(C90) 16.7° 7009 E(C0) 16.8° 6980
1.0	0.60 0.60	E(0°) 3960 E(C90) 16.7° 1752 E(C0) 16.8° 1745
1.5	0.90 0.91	E(0°) 1760 E(C90) 16.7° 779 E(C0) 16.8° 776
2.0	1.20 1.21	E(0°) 990 E(C90) 16.7° 438 E(C0) 16.8° 436
2.5	1.50 1.51	E(0°) 634 E(C90) 16.7° 280 E(C0) 16.8° 279
3.0	1.80 1.81	E(0°) 440 E(C90) 16.7° 195 E(C0) 16.8° 194

Distance [m] Cone diameter [m] illuminance [lx]

— C0/C180 (Half-peak divergence: 33.6°)  
— C90/C270 (Half-peak divergence: 33.4°)



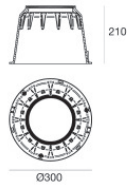
Template - Template for cementation (For version with flush flange)

**Code**  
83331



Accessories for outer casings - Caseback for outer casing  
Material:Galvanised Iron, colour:grey, processing:Galvanising.

**Code**  
83330



Outer casing  
installation position: floor, land; type of installation: masonry L=300mm, H=210mm,  
D=300mm.  
Material:ABS Plastic, colour:black.

**Code**  
83328