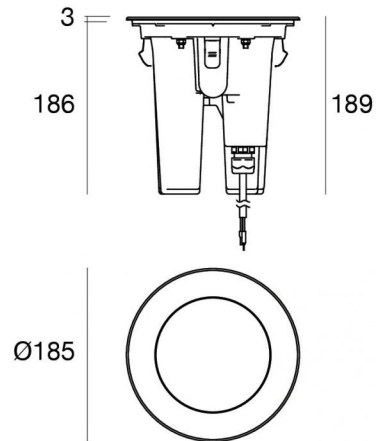




Uplights | 198-264 V  
1 arrayLED 16 W DC - 18 W AC | CRI 80  
**77114M15**



Technical data	
Type	Drive Over
Installation position	Floor
Installation environment	Outdoor
Light Source	LED
Circuit structure	arrayLED
Optics	Spot
Light emission direction	upward
Nominal power	16 W DC
Total Power	18 W
Source lumens	2528 lm
Nominal input voltage	220 - 240 V AC
Input voltage range	198 - 264 V AC
Frequency	50 - 60 Hz
CCT / Tone	2700 K
Colour rendering index	80 Ra
C.C. / C.V.	AC
Safety class	1
IP	IP68
IK	IK10
Glow wire test	850°
Direct mounting on normally flammable surfaces	No
CE	Yes
Driver included	Driver
Dimmable article	No
Directional	No
Tilting	No
Walk-over	Yes
Drive-over	5000 Kg
Cable included	Yes
Cable length	1 m
Resin potting	Yes
Type of light emission	Single emission
Net weight	3 Kg
Electrostatic discharge protection	Yes
Surge protection	1 KV
Product technological characteristics	Acquastop

### Finishing casing

Material	Die-cast Aluminium EN AB - 46100
Colour	black
Processing	Open pore anodizing + Powder Coating

### Finishing diffuser

Material	Extra clear glass - Tempered
Colour	transparent

### Finishing flange

Material	AISI 316 steel
Colour	steel
Processing	Brushing



## Uplights | 198-264 V | 1 arrayLED 16 W DC - 18 W AC | CRI 80 | Base 77114M15

Single emission uplights for outdoor application. The super warm white LED light source with a spot light distribution is composed of 1 arrayed LEDs with CCT of 2700 K and a CRI 80; the source luminous flux is 2528 lm, with a 158.0 lm/W nominal luminous efficacy.

The device body is made of die-cast aluminium en ab - 46100 and features a black finish, processed by means of open pore anodizing + powder coating; the diffuser is made of extra clear glass - tempered. The ingress protection degree is IP68; the total weight is of 3 kg.

The total absorbed power is 18 W. The power supply cable is included and features a 1 m length.

The device features protection class I and can be floor-mounted with an outer casing, code 83328(for concrete or masonry).

Compliant with the EN 60598-1 standard and its specific provisions.

### Energy efficiency class

This product contains a light source of energy efficiency class E.

### Illuminotechnical Features

Light Output Ratio (LOR)	68 %
Source lumens	2528 lm
Delivered lumens	1724 lm
Consumption	18 W
Luminaire efficacy	95 lm/W
Colour temperature	2700 K
Standard Deviation of Colour Matching	2 Step MacAdam
Colour rendering index	80 Ra
Standard Operating Ambient Temperature	-20 / +50°C
Ordinary temperature on the glass	65°C

### LED Life / Failure Ratio

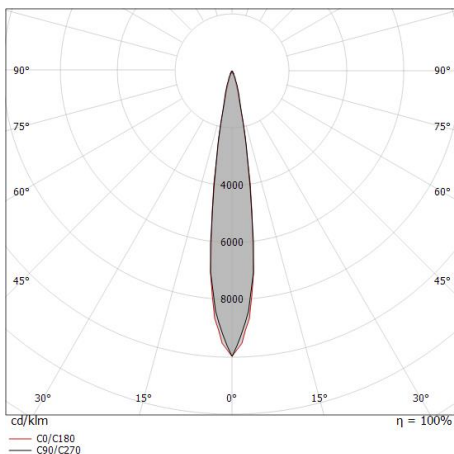
L70 B10 C0 252000h (at Tj 65 Ta 25 )

### UGR

UGR axial	7
UGR transversal	6.7
X=4H   Y=8H	S=0.25H
Reflection factor	70/50/20

### OPTICAL

C0/C180 optics	16°
Light distribution simmetry	Symmetrical



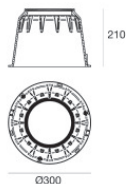
Distance [m]	Cone diameter [m]	illuminance [lx]
0.5	0.14 0.14	E(0°) 68780 E(C90) 8.0° 33959 E(C0) 7.9° 33942
1.0	0.28 0.28	E(0°) 17195 E(C90) 8.0° 8490 E(C0) 7.9° 8486
1.5	0.42 0.42	E(0°) 7642 E(C90) 8.0° 3773 E(C0) 7.9° 3771
2.0	0.56 0.56	E(0°) 4299 E(C90) 8.0° 2122 E(C0) 7.9° 2121
2.5	0.70 0.69	E(0°) 2751 E(C90) 8.0° 1358 E(C0) 7.9° 1358
3.0	0.84 0.83	E(0°) 1911 E(C90) 8.0° 943 E(C0) 7.9° 943

Distance [m] Cone diameter [m] illuminance [lx]

— C0/C180 (Half-peak divergence: 15.8°)  
— C90/C270 (Half-peak divergence: 16.0°)



Suelo\_R | Uplights | Accessories  
77114M15



Outer casing  
installation position: floor, land; type of installation: masonry L=300mm, H=210mm,  
D=300mm.  
Material:ABS Plastic, colour:black.

**Code**  
83328



Accessories for outer casings - Caseback for outer casing  
Material:Galvanised Iron, colour:grey, processing:Galvanising.

**Code**  
83330



Template - Template for cementation (For version with flush flange)

**Code**  
83331