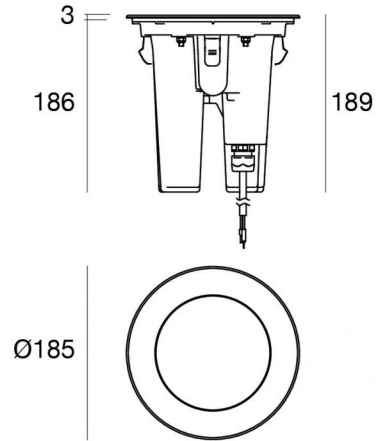




Uplights | 198-264 V AC /170-276 V DC
1 arrayLED 19 W DC - 22 W AC | CRI 80
77112N50



Technical data	
Type	Drive Over
Installation position	Floor
Installation environment	Outdoor
Light Source	LED
Circuit structure	arrayLED
Optics	Medium Wide Flood
Light emission direction	upward
Nominal power	19 W DC
Total Power	22 W
Source lumens	2966 lm
Nominal input voltage	220 - 240 V AC
Input voltage range	198 - 264 V AC
Frequency	50 - 60 Hz
CCT / Tone	4000 K
Colour rendering index	80 Ra
C.C. / C.V.	AC
Safety class	1
IP	IP68
IK	IK10
Glow wire test	850°
Direct mounting on normally flammable surfaces	No
CE	Yes
Driver included	Driver
Dimmable article	No
Directional	No
Tilting	No
Walk-over	Yes
Drive-over	5000 Kg
Cable included	Yes
Cable length	1 m
Resin potting	Yes
Type of light emission	Single emission
Net weight	3 Kg
Electrostatic discharge protection	Yes
Surge protection	1.5 KV
Optics technology	Honey comb
Product technological characteristics	Acquastop

Finishing casing	
Material	Die-cast Aluminium EN AB - 46100
Colour	black
Processing	Open pore anodizing + Powder Coating
Finishing diffuser	
Material	Extra clear glass - Tempered
Colour	transparent
Finishing flange	
Material	AISI 316 steel
Colour	steel
Processing	Brushing



Uplights | 198-264 V AC /170-276 V DC | 1 arrayLED 19 W DC - 22 W AC | CRI 80 | Base 77112N50

Energy efficiency class

This product contains a light source of energy efficiency class E.

Illuminotechnical Features

Light Output Ratio (LOR)	47 %
Source lumens	2966 lm
Delivered lumens	1408 lm
Consumption	22 W
Luminaire efficacy	64 lm/W
Colour temperature	4000 K
Standard Deviation of Colour Matching	2 Step MacAdam
Colour rendering index	80 Ra
Standard Operating Ambient Temperature	-20 / +50°C
Ordinary temperature on the glass	65°C

LED Life / Failure Ratio

L70 B10 C0 252000h (at Tj 65 Ta 25)

UGR

UGR axial	10.2
UGR transversal	10.2
X=4H Y=8H	S=0.25H
Reflection factor	70/50/20

OPTICAL

C0/C180 optics	46°
Light distribution simmetry	Symmetrical

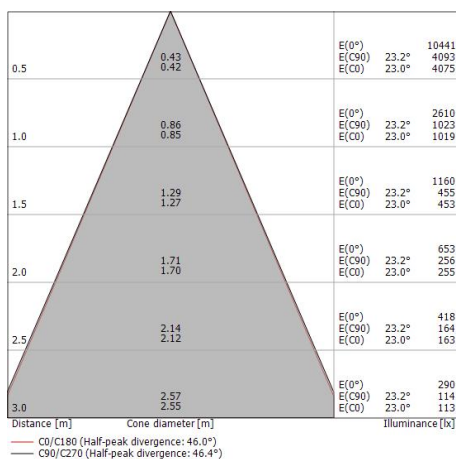
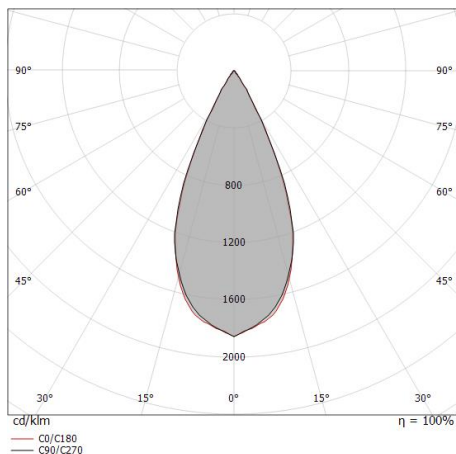
Single emission uplights for outdoor application. The natural white LED light source with a medium wide flood light distribution is composed of 1 arrayed LEDs with CCT of 4000 K and a CRI 80; the source luminous flux is 2966 lm, with a 156.1 lm/W nominal luminous efficacy.

The device body is made of die-cast aluminium en ab - 46100 and features a black finish, processed by means of open pore anodizing + powder coating; the diffuser is made of extra clear glass - tempered. The ingress protection degree is IP68; the total weight is of 3 kg.

The total absorbed power is 22 W. The power supply cable is included and features a 1 m length.

The device features protection class I and can be floor-mounted with an outer casing, code 83328(for concrete or masonry).

Compliant with the EN 60598-1 standard and its specific provisions.





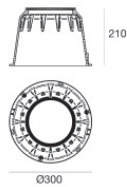
Template - Template for cementation (For version with flush flange)

Code
83331



Accessories for outer casings - Caseback for outer casing
 Material:Galvanised Iron, colour:grey, processing:Galvanising.

Code
83330



Outer casing
 installation position: floor, land; type of installation: masonry L=300mm, H=210mm,
 D=300mm.
 Material:ABS Plastic, colour:black.

Code
83328