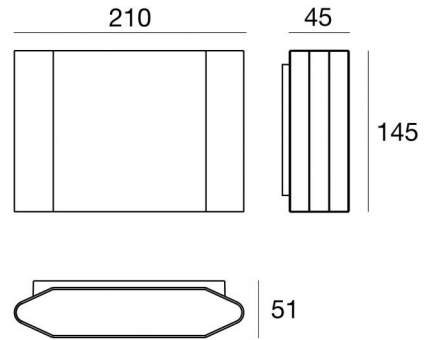




Wall Lights | 198-264 V AC /200-300 V DC
32 x powerLEDs 18.9 W DC - 21 W AC | CRI 80
77027M07



Technical data	
Type	Surface
Installation position	Wall lights
Installation environment	Outdoor
Light Source	LED
Circuit structure	powerLEDs
Optics	Double Asymmetric
Light emission direction	downward and upward
Nominal power	18.9 W DC
Total Power	21 W
Source lumens	3066 lm
Nominal input voltage	220 - 240 V AC
Input voltage range	198 - 264 V AC
Frequency	50 - 60 Hz
CCT / Tone	2700 K
Colour rendering index	80 Ra
C.C. / C.V.	AC
Safety class	1
IP	IP65
IK	IK06
Glow wire test	850°
Direct mounting on normally flammable surfaces	No
CE	Yes
Driver included	Driver
Dimmable article	DALI-2 - PUSH DIM
Directional	No
Tilting	No
Walk-over	No
Drive-over	No
Cable included	No
Resin potting	No
Type of light emission	Double emission
Net weight	1.646 Kg
Electrostatic discharge protection	Yes
Surge protection	1 KV

Finishing casing

Material	Die-cast Aluminium EN AB - 46100
Colour	Dark brown
Processing	Powder coating

Finishing diffuser

Material	UV Resistant Polycarbonate - Extra clear glass
Colour	black - transparent
Processing	Silk-screening

Finishing bracket

Material	AISI 304 steel
Colour	steel

Wall Lights | 198-264 V AC /200-300 V DC | 32 x powerLEDs 18.9 W DC - 21 W AC | CRI 80 | Base 77027M07

Double emission wall lights for outdoor application. The super warm white LED light source with a double asymmetric light distribution is composed of 32 powered LEDs with CCT of 2700 K and a CRI 80; the source luminous flux is 3066 lm, with a 162.2 lm/W nominal luminous efficacy.

The device body is made of die-cast aluminium en ab - 46100 and features a dark brown finish, processed by means of powder coating; the diffuser is made of extra clear glass with a silk-screening treatment; the diffuser is made of uv resistant polycarbonate. The ingress protection degree is IP65; the total weight is of 1.646 kg.

The total absorbed power is 21 W.

The device features protection class I and can be wall lights-mounted.

Compliant with the EN 60598-1 standard and its specific provisions.

Energy efficiency class

This product contains 4 light sources of energy efficiency class E.

Illuminotechnical Features

Light Output Ratio (LOR)	53 %
Source lumens	3066 lm
Delivered lumens	1643 lm
Consumption	21 W
Luminaire efficacy	78 lm/W
Colour temperature	2700 K
Standard Deviation of Colour Matching	2 Step MacAdam
Colour rendering index	80 Ra

Standard Operating Ambient Temperature	-20 / +50°C
Ordinary temperature on the glass	40°C

LED Life / Failure Ratio

L70 B10 C0 250000h (at Tj 65 Ta 25)

OPTICAL

C0/C180 optics	104°
Light distribution symmetry	Asymmetrical

