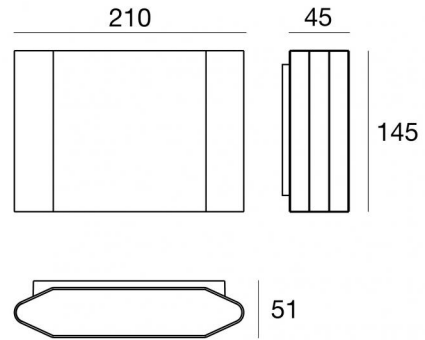




Wall Lights | 198-264 V AC /220-240 V DC
10 x powerLED 19.8 W DC - 22 W AC | CRI 80
76985M15



Technical data	
Type	Surface
Installation position	Wall lights
Installation environment	Outdoor
Light Source	LED
Circuit structure	powerLED
Optics	Double Spot
Light emission direction	downward and upward
Nominal power	19.8 W DC
Total Power	22 W
Source lumens	2660 lm
Nominal input voltage	220 - 240 V AC
Input voltage range	198 - 264 V AC
Frequency	50 - 60 Hz
CCT / Tone	2700 K
Colour rendering index	80 Ra
C.C. / C.V.	AC
Safety class	1
IP	IP65
IK	IK06
Glow wire test	850°
Direct mounting on normally flammable surfaces	No
CE	Yes
Driver included	Driver
Dimmable article	DALI-2 - PUSH DIM
Directional	No
Tilting	No
Walk-over	No
Drive-over	No
Cable included	No
Resin potting	No
Type of light emission	Double emission
Net weight	1.463 Kg
Electrostatic discharge protection	Yes
Surge protection	2 KV

Finishing casing

Material	Die-cast Aluminium EN AB - 46100
Colour	grey RAL 7021
Processing	Powder coating

Finishing diffuser

Material	UV Resistant Polycarbonate - Extra clear glass
Colour	black - transparent
Processing	Silk-screening

Finishing bracket

Material	AISI 304 steel
Colour	steel

The driver contained in the device complies with IEC 61347-2-13 annex J, and can therefore be powered by centralized power systems.



Wall Lights | 198-264 V AC /220-240 V DC | 10 x powerLED 19.8 W DC - 22 W AC | CRI 80
 | Base
76985M15

Double emission wall lights for outdoor application. The super warm white LED light source with a double spot light distribution is composed of 10 powered LEDs with CCT of 2700 K and a CRI 80; the source luminous flux is 2660 lm, with a 134.3 lm/W nominal luminous efficacy.

The device body is made of die-cast aluminium en ab - 46100 and features a grey ral 7021 finish, processed by means of powder coating; the diffuser is made of extra clear glass with a silk-screening treatment; the diffuser is made of uv resistant polycarbonate. The ingress protection degree is IP65; the total weight is of 1.463 kg.

The total absorbed power is 22 W.

The device features protection class I and can be wall lights-mounted.

Compliant with the EN 60598-1 standard and its specific provisions.

Energy efficiency class

This product contains 2 light sources of energy efficiency class D.

Illuminotechnical Features

Light Output Ratio (LOR)	44 %
Source lumens	2660 lm
Delivered lumens	1194 lm
Consumption	22 W
Luminaire efficacy	54 lm/W
Colour temperature	2700 K
Standard Deviation of Colour Matching	1.5 Step
Colour rendering index	80 Ra

Standard Operating Ambient Temperature	-20 / +50°C
Ordinary temperature on the glass	40°C

LED Life / Failure Ratio

L70 B10 C0 361980h (at Tj 60 Ta 25)

OPTICAL

C0/C180 optics	20°
Light distribution symmetry	Asymmetrical

