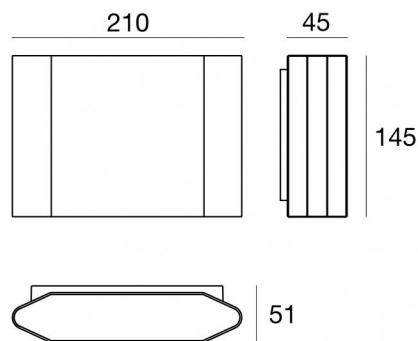
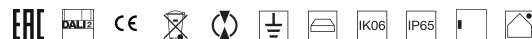




Wall Lights | x powerLED 0 W DC - 22 W AC  
CRI 80  
76983M45



Technical data	
Type	Surface
Installation position	Wall lights
Installation environment	Outdoor
Light Source	LED
Circuit structure	powerLED
Optics	Double Medium Wide Flood
Light emission direction	downward and upward
Nominal power	0 W DC
Total Power	22 W
Nominal input voltage	220 - 240 V AC
Input voltage range	198 - 264 V AC
CCT / Tone	2700 K
Colour rendering index	80 Ra
C.C. / C.V.	AC
Safety class	1
IP	IP65
IK	IK06
Glow wire test	850°
Direct mounting on normally flammable surfaces	No
CE	Yes
Driver included	Driver
Dimmable article	DALI-2 - PUSH DIM
Directional	No
Tilting	No
Walk-over	No
Drive-over	No
Cable included	No
Resin potting	No
Type of light emission	Double emission
Net weight	1.463 Kg
Electrostatic discharge protection	Yes
Surge protection	2 KV

### Finishing casing

Material	Die-cast Aluminium EN AB - 46100
Colour	White
Processing	Powder coating

### Finishing diffuser

Material	UV Resistant Polycarbonate - Extra clear glass
Colour	black - transparent
Processing	Silk-screening

### Finishing bracket

Material	AISI 304 steel
Colour	steel