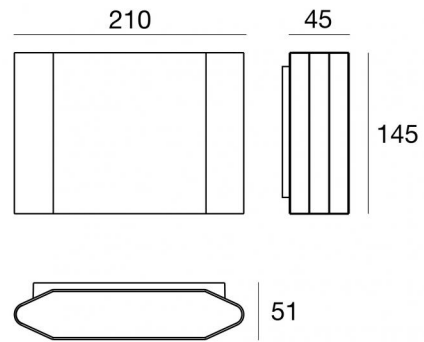




Wall Lights | 99-264 V AC /176-280 V DC
48 topLED 9.9 W DC - 11 W AC | CRI 80
76973W00



Technical data	
Type	Surface
Installation position	Wall lights
Installation environment	Outdoor
Light Source	LED
Circuit structure	topLED
Optics	Diffused
Light emission direction	downward
Nominal power	9.9 W DC
Total Power	11 W
Source lumens	1446 lm
Nominal input voltage	220 - 240 V AC
Input voltage range	99 - 264 V AC
Frequency	50 - 60 Hz
CCT / Tone	3000 K
Colour rendering index	80 Ra
C.C. / C.V.	AC
Safety class	1
IP	IP65
IK	IK06
Glow wire test	850°
Direct mounting on normally flammable surfaces	No
CE	Yes
Driver included	Driver
Dimmable article	DALI
Directional	No
Tilting	No
Walk-over	No
Drive-over	No
Cable included	No
Resin potting	No
Type of light emission	Single emission
Net weight	1.484 Kg
Electrostatic discharge protection	Yes
Surge protection	0.5 KV

Finishing casing

Material	Die-cast Aluminium EN AB - 46100
Colour	White
Processing	Powder coating

Finishing diffuser

Material	UV Resistant Polycarbonate - Extra clear glass
Colour	black - transparent
Processing	Silk-screening

Finishing bracket

Material	AISI 304 steel
Colour	steel

Wall Lights | 99-264 V AC /176-280 V DC | 48 topLED 9.9 W DC - 11 W AC | CRI 80 | Base
76973W00

Single emission wall lights for outdoor application. The warm white LED light source with a diffused light distribution is composed of 48 topLED LEDs with CCT of 3000 K and a CRI 80; the source luminous flux is 1446 lm, with a 146.1 lm/W nominal luminous efficacy.

The device body is made of die-cast aluminium en ab - 46100 and features a white finish, processed by means of powder coating; the diffuser is made of extra clear glass with a silk-screening treatment; the diffuser is made of uv resistant polycarbonate. The ingress protection degree is IP65; the total weight is of 1.484 kg.

The total absorbed power is 11 W.

The device features protection class I and can be wall lights-mounted.

Compliant with the EN 60598-1 standard and its specific provisions.

Energy efficiency class

This product contains a light source of energy efficiency class D.

Illuminotechnical Features

Light Output Ratio (LOR)	43 %
Source lumens	1446 lm
Delivered lumens	627 lm
Consumption	11 W
Luminaire efficacy	57 lm/W
Colour temperature	3000 K
Standard Deviation of Colour Matching	3 Step MacAdam
Colour rendering index	80 Ra

Standard Operating Ambient Temperature -20 / +50°C

Ordinary temperature on the glass 40°C

LED Life / Failure Ratio

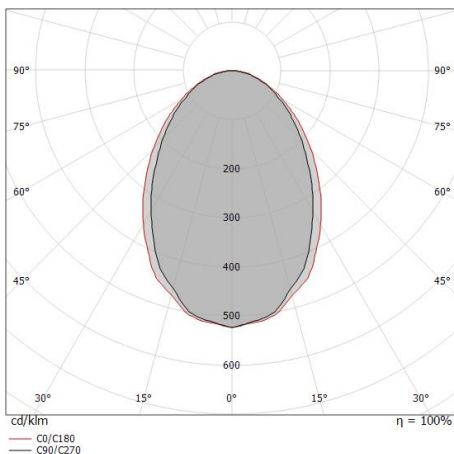
L70 B10 C0 145770h (at Tj 65 Ta 25)

UGR

UGR axial	25.6
UGR transversal	26
X=4H Y=8H	S=0.25H
Reflection factor	70/50/20

OPTICAL

C90/C270 optics	74°
C0/C180 optics	82°
Light distribution simmetry	Symmetrical 2 assis



Distance [m]	Cone diameter [m]	illuminance [lx]
0.5	0.76 0.86	E(0°) 1313 E(C90) 37.2° 333 E(C0) 40.8° 285
1.0	1.52 1.73	E(0°) 328 E(C90) 37.2° 83 E(C0) 40.8° 71
1.5	2.28 2.59	E(0°) 146 E(C90) 37.2° 37 E(C0) 40.8° 32
2.0	3.04 3.45	E(0°) 82 E(C90) 37.2° 21 E(C0) 40.8° 18
2.5	3.80 4.32	E(0°) 53 E(C90) 37.2° 13 E(C0) 40.8° 11
3.0	4.55 5.18	E(0°) 36 E(C90) 37.2° 9 E(C0) 40.8° 8

Distance [m] Cone diameter [m] illuminance [lx]

— C0/C180 (Half-peak divergence: 81.6°)
— C90/C270 (Half-peak divergence: 74.4°)