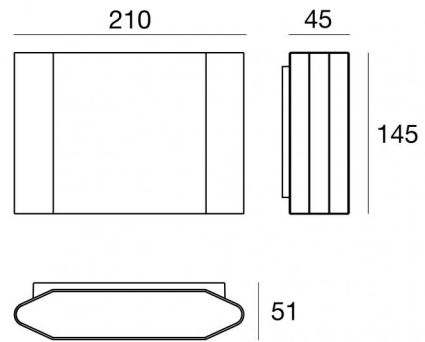




Wall Lights | x powerLED 0 W DC - 11 W AC
CRI 80
76965N15



| Technical data | |
|--|-------------------|
| Type | Surface |
| Installation position | Wall lights |
| Installation environment | Outdoor |
| Light Source | LED |
| Circuit structure | powerLED |
| Optics | Spot |
| Light emission direction | downward |
| Nominal power | 0 W DC |
| Total Power | 11 W |
| Nominal input voltage | 220 - 240 V AC |
| Input voltage range | 198 - 264 V AC |
| CCT / Tone | 4000 K |
| Colour rendering index | 80 Ra |
| C.C. / C.V. | AC |
| Safety class | 1 |
| IP | IP65 |
| IK | IK06 |
| Glow wire test | 850° |
| Direct mounting on normally flammable surfaces | No |
| CE | Yes |
| Driver included | Driver |
| Dimmable article | DALI-2 - PUSH DIM |
| Directional | No |
| Tilting | No |
| Walk-over | No |
| Drive-over | No |
| Cable included | No |
| Resin potting | No |
| Type of light emission | Single emission |
| Net weight | 1.512 Kg |
| Electrostatic discharge protection | Yes |
| Surge protection | 1 KV |

Finishing casing

| | |
|------------|----------------------------------|
| Material | Die-cast Aluminium EN AB - 46100 |
| Colour | grey RAL 7021 |
| Processing | Powder coating |

Finishing diffuser

| | |
|------------|--|
| Material | UV Resistant Polycarbonate - Extra clear glass |
| Colour | black - transparent |
| Processing | Silk-screening |

Finishing bracket

| | |
|----------|----------------|
| Material | AISI 304 steel |
| Colour | steel |