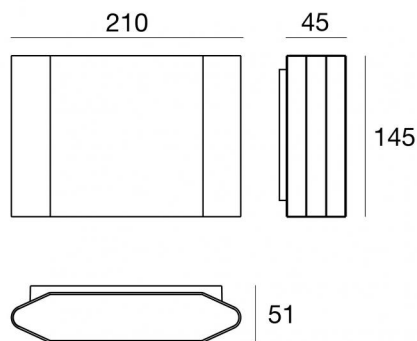




Wall Lights | 198-264 V AC /220-240 V DC
5 x powerLED 9.9 W DC - 11 W AC | CRI 80
76965M30



| Technical data | |
|--|-------------------|
| Type | Surface |
| Installation position | Wall lights |
| Installation environment | Outdoor |
| Light Source | LED |
| Circuit structure | powerLED |
| Optics | Medium Wide Flood |
| Light emission direction | downward |
| Nominal power | 9.9 W DC |
| Total Power | 11 W |
| Source lumens | 1330 lm |
| Nominal input voltage | 220 - 240 V AC |
| Input voltage range | 198 - 264 V AC |
| Frequency | 50 - 60 Hz |
| CCT / Tone | 2700 K |
| Colour rendering index | 80 Ra |
| C.C. / C.V. | AC |
| Safety class | 1 |
| IP | IP65 |
| IK | IK06 |
| Glow wire test | 850° |
| Direct mounting on normally flammable surfaces | No |
| CE | Yes |
| Driver included | Driver |
| Dimmable article | DALI-2 - PUSH DIM |
| Directional | No |
| Tilting | No |
| Walk-over | No |
| Drive-over | No |
| Cable included | No |
| Resin potting | No |
| Type of light emission | Single emission |
| Net weight | 1.512 Kg |
| Electrostatic discharge protection | Yes |
| Surge protection | 1 KV |

Finishing casing

| | |
|------------|----------------------------------|
| Material | Die-cast Aluminium EN AB - 46100 |
| Colour | grey RAL 7021 |
| Processing | Powder coating |

Finishing diffuser

| | |
|------------|--|
| Material | UV Resistant Polycarbonate - Extra clear glass |
| Colour | black - transparent |
| Processing | Silk-screening |

Finishing bracket

| | |
|----------|----------------|
| Material | AISI 304 steel |
| Colour | steel |

The driver contained in the device complies with IEC 61347-2-13 annex J, and can therefore be powered by centralized power systems.



Wall Lights | 198-264 V AC /220-240 V DC | 5 x powerLED 9.9 W DC - 11 W AC | CRI 80 |
 Base
76965M30

Single emission wall lights for outdoor application. The super warm white LED light source with a medium wide flood light distribution is composed of 5 powered LEDs with CCT of 2700 K and a CRI 80; the source luminous flux is 1330 lm, with a 134.3 lm/W nominal luminous efficacy.

The device body is made of die-cast aluminium en ab - 46100 and features a grey ral 7021 finish, processed by means of powder coating; the diffuser is made of extra clear glass with a silk-screening treatment; the diffuser is made of uv resistant polycarbonate. The ingress protection degree is IP65; the total weight is of 1.512 kg.

The total absorbed power is 11 W.

The device features protection class I and can be wall lights-mounted.

Compliant with the EN 60598-1 standard and its specific provisions.

Energy efficiency class

This product contains a light source of energy efficiency class D.

Illuminotechnical Features

| | |
|---------------------------------------|----------|
| Light Output Ratio (LOR) | 63 % |
| Source lumens | 1330 lm |
| Delivered lumens | 847 lm |
| Consumption | 11 W |
| Luminaire efficacy | 77 lm/W |
| Colour temperature | 2700 K |
| Standard Deviation of Colour Matching | 1.5 Step |
| Colour rendering index | 80 Ra |

| | |
|--|-------------|
| Standard Operating Ambient Temperature | -20 / +50°C |
| Ordinary temperature on the glass | 40°C |

LED Life / Failure Ratio

L70 B10 C0 361980h (at Tj 60 Ta 25)

OPTICAL

| | |
|-----------------------------|--------------|
| C0/C180 optics | 41° |
| Light distribution symmetry | Asymmetrical |

