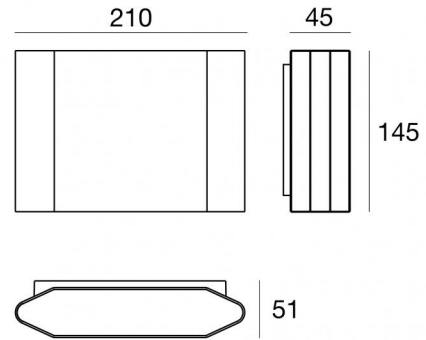




Wall Lights | x powerLED 0 W DC - 11 W AC  
CRI 80  
76961N45



Technical data	
Type	Surface
Installation position	Wall lights
Installation environment	Outdoor
Light Source	LED
Circuit structure	powerLED
Optics	Medium Wide Flood
Light emission direction	downward
Nominal power	0 W DC
Total Power	11 W
Nominal input voltage	220 - 240 V AC
Input voltage range	198 - 264 V AC
CCT / Tone	4000 K
Colour rendering index	80 Ra
C.C. / C.V.	AC
Safety class	1
IP	IP65
IK	IK06
Glow wire test	850°
Direct mounting on normally flammable surfaces	No
CE	Yes
Driver included	Driver
Dimmable article	No
Directional	No
Tilting	No
Walk-over	No
Drive-over	No
Cable included	No
Resin potting	No
Type of light emission	Single emission
Net weight	1.512 Kg
Electrostatic discharge protection	Yes
Surge protection	1 KV

### Finishing casing

Material	Die-cast Aluminium EN AB - 46100
Colour	Grey
Processing	Powder coating

### Finishing diffuser

Material	UV Resistant Polycarbonate - Extra clear glass
Colour	black - transparent
Processing	Silk-screening

### Finishing bracket

Material	AISI 304 steel
Colour	steel