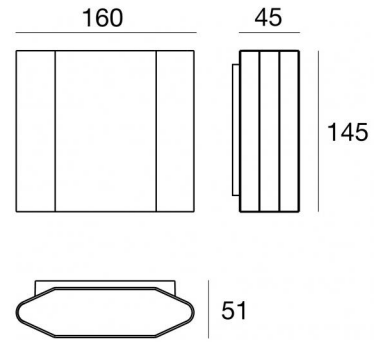




Wall Lights | 99-264 V AC /176-280 V DC
72 topLED 14.4 W DC - 16 W AC | CRI 80
76957N00



Technical data	
Type	Surface
Installation position	Wall lights
Installation environment	Outdoor
Light Source	LED
Circuit structure	topLED
Optics	Double Diffused
Light emission direction	downward and upward
Nominal power	14.4 W DC
Total Power	16 W
Source lumens	2724 lm
Nominal input voltage	220 - 240 V AC
Input voltage range	99 - 264 V AC
Frequency	50 - 60 Hz
CCT / Tone	4000 K
Colour rendering index	80 Ra
C.C. / C.V.	AC
Safety class	1
IP	IP65
IK	IK06
Glow wire test	850°
Direct mounting on normally flammable surfaces	No
CE	Yes
Driver included	Driver
Dimmable article	DALI
Directional	No
Tilting	No
Walk-over	No
Drive-over	No
Cable included	No
Resin potting	No
Type of light emission	Double emission
Net weight	1.11 Kg
Electrostatic discharge protection	Yes
Surge protection	0.5 KV

Finishing casing	
Material	Die-cast Aluminium EN AB - 46100
Colour	Dark brown
Processing	Powder coating
Finishing diffuser	
Material	Extra clear glass
Finishing bracket	
Material	AISI 304 steel
Colour	steel



Wall Lights | 99-264 V AC /176-280 V DC | 72 topLED 14.4 W DC - 16 W AC | CRI 80 |
 Base
76957N00

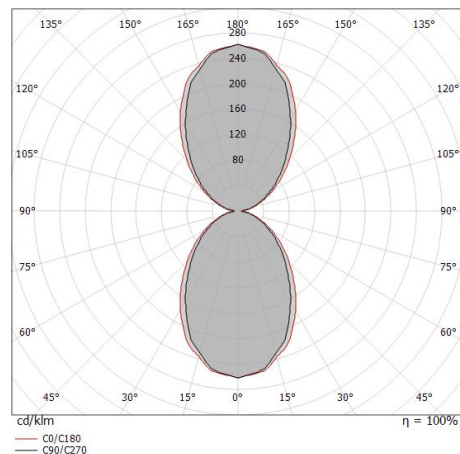
Double emission wall lights for outdoor application. The natural white LED light source with a double diffused light distribution is composed of 72 topped LEDs with CCT of 4000 K and a CRI 80; the source luminous flux is 2724 lm, with a 189.2 lm/W nominal luminous efficacy.

The device body is made of die-cast aluminium en ab - 46100 and features a dark brown finish, processed by means of powder coating; the diffuser is made of extra clear glass. The ingress protection degree is IP65; the total weight is of 1.11 kg.

The total absorbed power is 16 W.

The device features protection class I and can be wall lights-mounted.

Compliant with the EN 60598-1 standard and its specific provisions.



Energy efficiency class

This product contains 2 light sources of energy efficiency class D.

Illuminotechnical Features

Light Output Ratio (LOR)	35 %
Source lumens	2724 lm
Delivered lumens	980 lm
Consumption	16 W
Luminaire efficacy	61 lm/W
Colour temperature	4000 K
Standard Deviation of Colour Matching	3 Step MacAdam
Colour rendering index	80 Ra
Standard Operating Ambient Temperature	-20 / +50°C
Ordinary temperature on the glass	40°C

LED Life / Failure Ratio

L70 B10 C0 145770h (at Tj 65 Ta 25)

OPTICAL

C90/C270 optics	74°
C0/C180 optics	82°
Light distribution simmetry	Symmetrical 2 assis