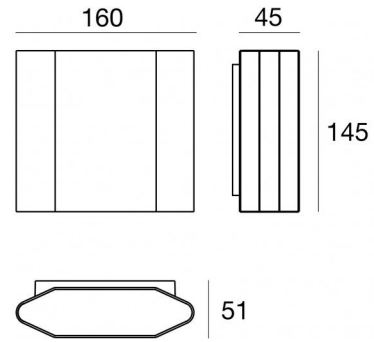




Wall Lights | 176-264 V AC /176-280 V DC  
72 topLED 14.4 W DC - 16 W AC | CRI 80  
**76950M00**



Technical data	
Type	Surface
Installation position	Wall lights
Installation environment	Outdoor
Light Source	LED
Circuit structure	topLED
Optics	Double Diffused
Light emission direction	downward and upward
Nominal power	14.4 W DC
Total Power	16 W
Source lumens	2388 lm
Nominal input voltage	220 - 240 V AC
Input voltage range	176 - 264 V AC
Frequency	50 - 60 Hz
CCT / Tone	2700 K
Colour rendering index	80 Ra
C.C. / C.V.	AC
Safety class	1
IP	IP65
IK	IK06
Glow wire test	850°
Direct mounting on normally flammable surfaces	No
CE	Yes
Driver included	Driver
Dimmable article	No
Directional	No
Tilting	No
Walk-over	No
Drive-over	No
Cable included	No
Resin potting	No
Type of light emission	Double emission
Net weight	1.11 Kg
Electrostatic discharge protection	Yes
Surge protection	0.5 KV

#### Finishing casing

Material	Die-cast Aluminium EN AB - 46100
Colour	grey RAL 7021
Processing	Powder coating

#### Finishing diffuser

Material	Extra clear glass
----------	-------------------

#### Finishing bracket

Material	AISI 304 steel
Colour	steel

The driver contained in the device complies with IEC 61347-2-13 annex J, and can therefore be powered by centralized power systems.



Wall Lights | 176-264 V AC /176-280 V DC | 72 topLED 14.4 W DC - 16 W AC | CRI 80 |  
 Base  
**76950M00**

Double emission wall lights for outdoor application. The super warm white LED light source with a double diffused light distribution is composed of 72 topLEDs with CCT of 2700 K and a CRI 80; the source luminous flux is 2388 lm, with a 165.8 lm/W nominal luminous efficacy.

The device body is made of die-cast aluminium en ab - 46100 and features a grey ral 7021 finish, processed by means of powder coating; the diffuser is made of extra clear glass. The ingress protection degree is IP65; the total weight is of 1.11 kg.

The total absorbed power is 16 W.

The device features protection class I and can be wall lights-mounted.

Compliant with the EN 60598-1 standard and its specific provisions.

### Energy efficiency class

This product contains 2 light sources of energy efficiency class D.

### Illuminotechnical Features

Light Output Ratio (LOR)	37 %
Source lumens	2388 lm
Delivered lumens	900 lm
Consumption	16 W
Luminaire efficacy	56 lm/W
Colour temperature	2700 K
Standard Deviation of Colour Matching	3 Step MacAdam
Colour rendering index	80 Ra

Standard Operating Ambient Temperature	-20 / +50°C
Ordinary temperature on the glass	40°C

### LED Life / Failure Ratio

L70 B10 C0 145770h (at Tj 65 Ta 25 )

### OPTICAL

C90/C270 optics	74°
C0/C180 optics	82°
Light distribution symmetry	Symmetrical 2 axis

