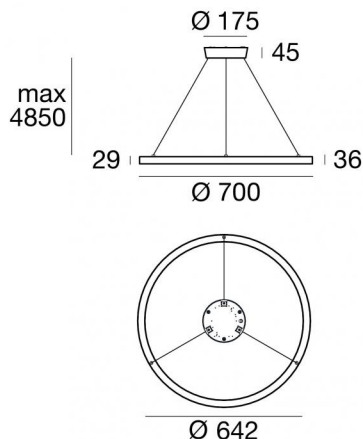


Tour_Slim_PD Complete



Pendant Luminaires | 99-264 V
1 topLED 36 W DC - 44 W AC | CRI 90
76732W00



Technical data	
Type	Surface
Installation position	Ceiling
Installation environment	Indoor
Light Source	LED
Circuit structure	topLED
Optics	Diffused
Light emission direction	downward
Nominal power	36 W DC
Total Power	44 W
Source lumens	4139 lm
Nominal input voltage	220 - 240 V AC
Input voltage range	99 - 264 V AC
Frequency	50 - 60 Hz
CCT / Tone	3000 K
Colour rendering index	90 Ra
C.C. / C.V.	AC
Safety class	1
IP	IP40
Glow wire test	No
Direct mounting on normally flammable surfaces	Yes
CE	Yes
Driver included	Driver
Dimmable article	DALI - 1-10V
Directional	No
Tilting	No
Walk-over	No
Drive-over	No
Cable included	Yes
Cable length	4.85 m
Resin potting	No
Type of light emission	Single emission
Net weight	2.7 Kg
Electrostatic discharge protection	Yes
Surge protection	2 KV
Optics technology	Dot free

Finishing casing	
Material	Aluminium 6060
Colour	White
Processing	Powder coating
Finishing diffuser	
Material	UV Resistant Polycarbonate
Colour	opaline
Cables Electrification+suspension	
Max cable length	4850 mm

Tour_Slim_PD Complete



Pendant Luminaires | 99-264 V | 1 topLED 36 W DC - 44 W AC | CRI 90 | Base
76732W00

Single emission pendant luminaires for indoor application. The warm white LED light source with a diffused light distribution is composed of 371 stripled LEDs with CCT of 3000 K and a CRI 90; the source luminous flux is 4139 lm, with a 115.0 lm/W nominal luminous efficacy.

The device body is made of aluminium 6060 and features a white finish, processed by means of powder coating; the diffuser is made of uv resistant polycarbonate. The ingress protection degree is IP40; the total weight is of 2.7 kg.

The total absorbed power is 44 W. The power supply cable is included and features a 4.85 m length.

The device features protection class I and can be ceiling-mounted.

Compliant with the EN 60598-1 standard and its specific provisions.

Energy efficiency class

This product contains a light source of energy efficiency class F.

Illuminotechnical Features

Light Output Ratio (LOR)	60 %
Source lumens	4139 lm
Delivered lumens	2484 lm
Consumption	44 W
Luminaire efficacy	56 lm/W
Colour temperature	3000 K
Standard Deviation of Colour Matching	3 Step MacAdam
Colour rendering index	90 Ra
Standard Operating Ambient Temperature	-20 / +50°C

LED Life / Failure Ratio

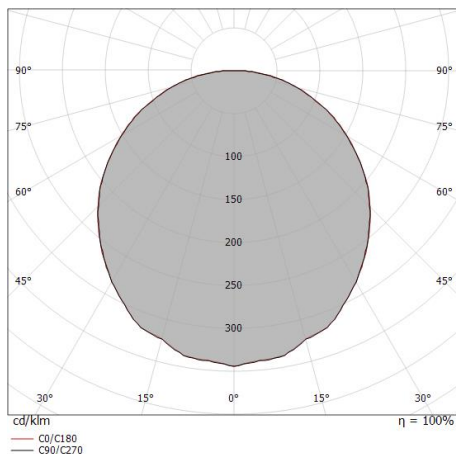
L70 B10 C0 50000h

UGR

UGR axial	20.3
UGR transversal	20.4
X=4H Y=8H	S=0.25H
Reflection factor	70/50/20

OPTICAL

C0/C180 optics	112°
Light distribution simmetry	Symmetrical



Distance [m]	Cone diameter [m]	illuminance [lx]
0.5	1.47 1.48	E(0°) 3419 E(C90) 304 E(C0) 302
1.0	2.94 2.95	E(0°) 855 E(C90) 76 E(C0) 75
1.5	4.41 4.43	E(0°) 380 E(C90) 34 E(C0) 34
2.0	5.89 5.91	E(0°) 214 E(C90) 19 E(C0) 19
2.5	7.36 7.38	E(0°) 137 E(C90) 12 E(C0) 12
3.0	8.83 8.86	E(0°) 95 E(C90) 8 E(C0) 8

— C0/C180 (Half-peak divergence: 111.8°)
— C90/C270 (Half-peak divergence: 111.6°)