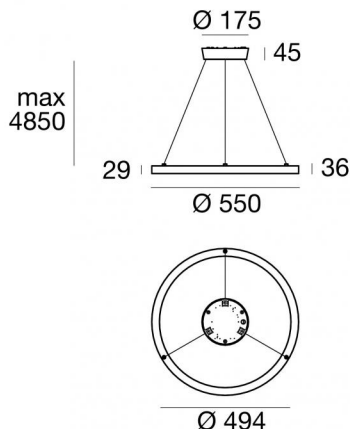


Tour_Slim_PD Complete



Pendant Luminaires | 198-264 V
1 topLED 29 W DC - 36 W AC | CRI 90
76677M00



Technical data	
Type	Surface
Installation position	Ceiling
Installation environment	Indoor
Light Source	LED
Circuit structure	topLED
Optics	Diffused
Light emission direction	internal
Nominal power	29 W DC
Total Power	36 W
Source lumens	3059 lm
Nominal input voltage	220 - 240 V AC
Input voltage range	198 - 264 V AC
Frequency	50 - 60 Hz
CCT / Tone	2700 K
Colour rendering index	90 Ra
C.C. / C.V.	AC
Safety class	1
IP	IP40
Glow wire test	No
Direct mounting on normally flammable surfaces	Yes
CE	Yes
Driver included	Driver
Dimmable article	PUSH DIM - Phase cut
Directional	No
Tilting	No
Walk-over	No
Drive-over	No
Cable included	Yes
Cable length	4.85 m
Resin potting	No
Type of light emission	Single emission
Net weight	2.3 Kg
Electrostatic discharge protection	Yes
Surge protection	2 KV
Optics technology	Dot free

Finishing casing	
Material	Aluminium 6060
Colour	White
Processing	Powder coating
Finishing diffuser	
Material	UV Resistant Polycarbonate
Colour	opaline
Cables Electrification+suspension	
Max cable length	4850 mm

Tour_Slim_PD Complete



Pendant Luminaires | 198-264 V | 1 topLED 29 W DC - 36 W AC | CRI 90 | Base
76677M00

Single emission pendant luminaires for indoor application. The super warm white LED light source with a diffused light distribution is composed of 294 stripled LEDs with CCT of 2700 K and a CRI 90; the source luminous flux is 3059 lm, with a 105.5 lm/W nominal luminous efficacy.

The device body is made of aluminium 6060 and features a white finish, processed by means of powder coating; the diffuser is made of uv resistant polycarbonate. The ingress protection degree is IP40; the total weight is of 2.3 kg.

The total absorbed power is 36 W. The power supply cable is included and features a 4.85 m length.

The device features protection class I and can be ceiling-mounted.

Compliant with the EN 60598-1 standard and its specific provisions.

Energy efficiency class

This product contains a light source of energy efficiency class F.

Illuminotechnical Features

Light Output Ratio (LOR)	62 %
Source lumens	3059 lm
Delivered lumens	1916 lm
Consumption	36 W
Luminaire efficacy	53 lm/W
Colour temperature	2700 K
Standard Deviation of Colour Matching	3 Step MacAdam
Colour rendering index	90 Ra
Standard Operating Ambient Temperature	-20 / +50°C

LED Life / Failure Ratio

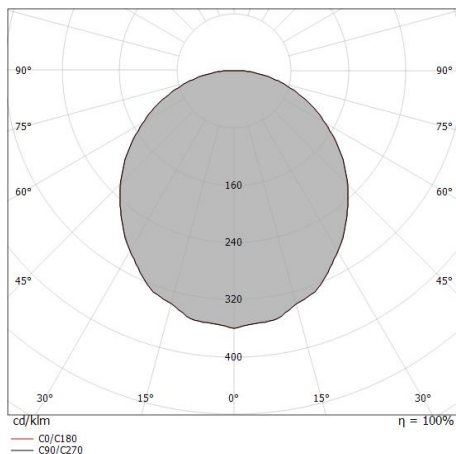
L70 B10 C0 50000h

UGR

UGR axial	21
UGR transversal	21
X=4H Y=8H	S=0.25H
Reflection factor	70/50/20

OPTICAL

C0/C180 optics	108°
Light distribution simmetry	Symmetrical



Distance [m]	Cone diameter [m]	E(0°)	E(C0)	illuminance [lx]
0.5	1.38	2756	54.0°	280
1.0	2.75	689	54.0°	70
1.5	4.13	306	54.0°	31
2.0	5.51	172	54.0°	17
2.5	6.88	110	54.0°	11
3.0	8.26	77	54.0°	8

— C0/C180 (Half-peak divergence: 108.0°)