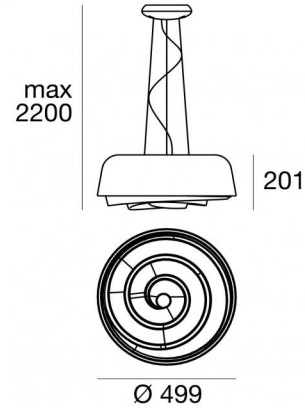




Pendant Luminaires | 220-240 V | 2xE27
7655



Technical data	
Type	Surface
Installation position	Ceiling
Installation environment	Indoor
Lamp cap	2 x E27 Max 46W
Light emission direction	downward
Frequency	50-60 Hz
Optics	Diffused
Safety class	1
IP	IP20
Glow wire test	850°
Direct mounting on normally flammable surfaces	Yes
CE	Yes
Dimmable article	No
Directional	No
Tilting	No
Walk-over	No
Drive-over	No
Cable included	Yes
Cable length	2.5 m
Resin potting	No
Net weight	3.600 Kg

Finishing casing	
Material	Iron
Colour	White
Processing	Coating
Finishing diffuser	
Material	PE
Colour	neutral

Pendant Luminaires | 220-240 V | 2xE27 | Base 7655

Double emission pendant luminaires for indoor application. Compatibility: LED lamp, halogen 46 W, compact fluo 20 W; lamp cap 2xE27.

The device body is made of iron and features a white finish, processed by means of coating; the diffuser is made of pe. The ingress protection degree is IP20; the total weight is of 3.600 kg.

. The power supply cable is included and features a 2.5 m length.

The device features protection class I and can be ceiling-mounted.

Compliant with the EN 60598-1 standard and its specific provisions.

Illuminotechnical Features

Light Output Ratio (LOR)	71 %
Source lumens	1400 lm
Delivered lumens	1001 lm
Consumption	92 W
Luminaire efficacy	15 lm/W
Colour temperature	2800 K
Colour rendering index	100 Ra
Junction temperature (lighting fixture)	80
Standard Operating Ambient Temperature	25°C

