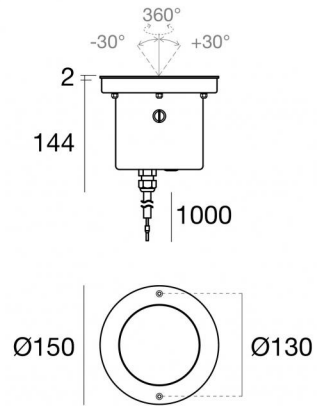


Suelo316_RXFJ



Uplights | 198-264 V
1 arrayLED 16.2 W DC - 18 W AC | CRI 80
76077W30



Technical data	
Type	Drive Over
Installation position	Floor
Installation environment	Outdoor
Light Source	LED
Circuit structure	arrayLED
Optics	Medium Flood
Light emission direction	upward
Nominal power	16.2 W DC
Total Power	18 W
Source lumens	2401 lm
Nominal input voltage	220 - 240 V AC
Input voltage range	198 - 264 V AC
Frequency	50 - 60 Hz
CCT / Tone	3000 K
Colour rendering index	80 Ra
C.C. / C.V.	AC
Safety class	2
IP	IP68
Installation limitations	Not for underwater use
Glow wire test	850°
Direct mounting on normally flammable surfaces	Yes
CE	Yes
Driver included	Driver
Dimmable article	DALI
Directional	No
Tilting	Yes
total angle (horizontal plane)	360 °
total angle (vertical plane)	60 °
Walk-over	Yes
Drive-over	3000 Kg
Cable included	Yes
Cable length	1 m
Resin potting	Yes
Type of light emission	Single emission
Electrostatic discharge protection	Yes
Surge protection	1 KV
Product technological characteristics	Acquastop - TVS

Finishing casing

Material	AISI 316L steel
Colour	steel

Finishing diffuser

Material	Extra clear glass
Colour	transparent
Processing	Silk-screening

Finishing flange

Material	AISI 316L steel
Colour	steel
Processing	Brushing



Uplights | 198-264 V | 1 arrayLED 16.2 W DC - 18 W AC | CRI 80 | Base 76077W30

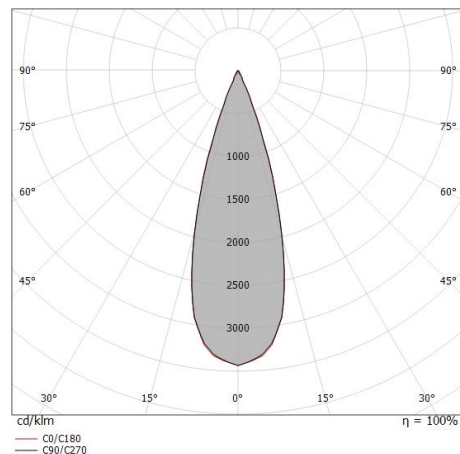
Single emission uplights for outdoor application. The warm white LED light source with a medium flood light distribution is composed of 1 arrayed LEDs with CCT of 3000 K and a CRI 80; the source luminous flux is 2401 lm, with a 148.2 lm/W nominal luminous efficacy.

The device body is made of aisi 316l steel and features a steel finish; the diffuser is made of extra clear glass with a silk-screening treatment. The ingress protection degree is IP68;

The total absorbed power is 18 W. The power supply cable is included and features a 1 m length.

The device features protection class II and can be floor-mounted with an outer casing, code 98133(for concrete or masonry).

Compliant with the EN 60598-1 standard and its specific provisions.



Distance [m]	Cone diameter [m]	illuminance [lx]	E(0°)	E(C0)
0.5	0.29	26936	16.1°	12005
1.0	0.58	6734	16.1°	3001
1.5	0.87	2993	16.1°	1334
2.0	1.15	1684	16.1°	750
2.5	1.44	1077	16.1°	480
3.0	1.73	748	16.1°	333

Distance [m] Cone diameter [m] illuminance [lx]
 — C0/C180 (Half-peak divergence: 32.2°)

Energy efficiency class

This product contains a light source of energy efficiency class E.

Illuminotechnical Features

Light Output Ratio (LOR)	81 %
Source lumens	2401 lm
Delivered lumens	1963 lm
Consumption	18 W
Luminaire efficacy	109 lm/W
Colour temperature	3000 K
Standard Deviation of Colour Matching	2 Step MacAdam
Colour rendering index	80 Ra
Black Body Locus	On
Standard Operating Ambient Temperature	-20 / +50°C
Ordinary temperature on the glass	45°C

LED Life / Failure Ratio

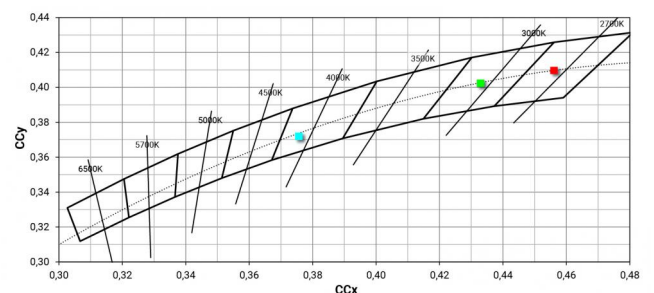
L70 B10 C0 252000h (at Tj 65 Ta 25)

UGR

UGR axial	12.9
UGR transversal	12.6
X=4H Y=8H	S=0.25H
Reflection factor	70/50/20

OPTICAL

C0/C180 optics	32°
Light distribution simmetry	Symmetrical





Suelo316_RXFJ | Uplights | Accessories
76077W30



Outer casing

installation position: floor, land; type of installation: masonry L=150mm, H=154mm,
D=154mm.

Material:Stainless steel 316L, colour:steel.

Finish



Code

98133



Cable gland

Code

84894



Connector - 3-way connector - IP68 Min.3x0.5mmq / Max 3x1.5mm2

Code

84893