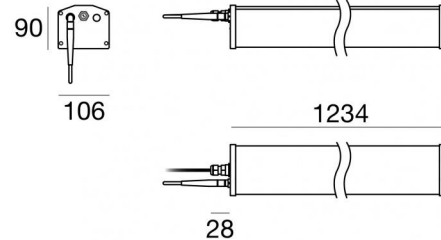


# Alux Pro



198-264 V AC /180-275 V DC  
48 topLED 90 W DC - 100 W AC | CRI 80  
**76010W30**



Technical data	
Type	Industrial Lighting
Installation position	Ceiling
Installation environment	Indoor
Light Source	LED
Circuit structure	topLED
Optics	Medium Flood
Light emission direction	downward
Nominal power	90 W DC
Total Power	100 W
Source lumens	13891 lm
Nominal input voltage	220 - 240 V AC
Input voltage range	198 - 264 V AC
Frequency	50 - 60 Hz
CCT / Tone	3000 K
Colour rendering index	80 Ra
C.C. / C.V.	AC
Safety class	2
IP	IP65
IK	IK06
Glow wire test	850°
Direct mounting on normally flammable surfaces	Yes
CE	Yes
Driver included	Driver
Dimmable article	Twil
Directional	No
Tilting	No
Walk-over	No
Drive-over	No
Cable included	Yes
Cable length	1 m
Resin potting	No
Type of light emission	Single emission
Net weight	4.4 Kg
Electrostatic discharge protection	Yes
Surge protection	5 KV

Finishing casing	
Material	Aluminium 6060
Colour	Anodised Aluminum
Processing	20 µm anodizing





198-264 V AC /180-275 V DC | 48 topLED 90 W DC - 100 W AC | CRI 80 | Base  
76010W30

### Energy efficiency class

This product contains 3 light sources of energy efficiency class D.

### Illuminotechnical Features

Light Output Ratio (LOR)	84 %
Source lumens	13891 lm
Delivered lumens	11796 lm
Consumption	100 W
Luminaire efficacy	117 lm/W
Colour temperature	3000 K
Standard Deviation of Colour Matching	3 Step MacAdam
Colour rendering index	80 Ra
Standard Operating Ambient Temperature	-20 / +50°C

### LED Life / Failure Ratio

L70 B20 C10 108000h (at Tj 65 Ta 25 )

### UGR

UGR axial	21.9
UGR transversal	22.7
X=4H   Y=8H	S=0.25H
Reflection factor	70/50/20

### OPTICAL

C90/C270 optics	29°
C0/C180 optics	33°
Light distribution simmetry	Symmetrical 2 assis

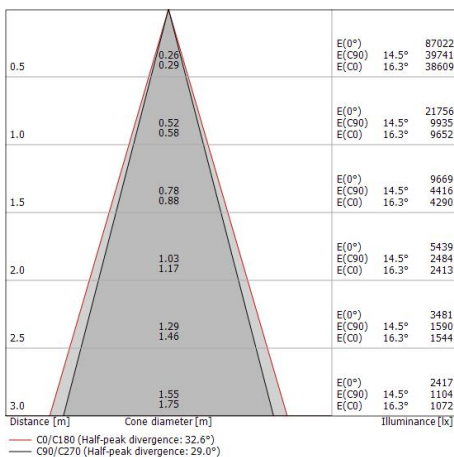
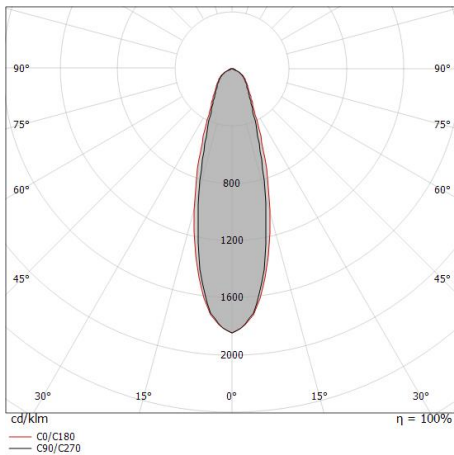
Single emission for indoor application. The warm white LED light source with a medium flood light distribution is composed of 48 powered LEDs with CCT of 3000 K and a CRI 80; the source luminous flux is 13891 lm, with a 154.3 lm/W nominal luminous efficacy.

The device body is made of aluminium 6060 and features a anodised aluminum finish, processed by means of 20 µm anodizing. The ingress protection degree is IP65; the total weight is of 4.4 kg.

The total absorbed power is 100 W. The power supply cable is included and features a 1 m length.

The device features protection class II and can be ceiling-mounted.

Compliant with the EN 60598-1 standard and its specific provisions.

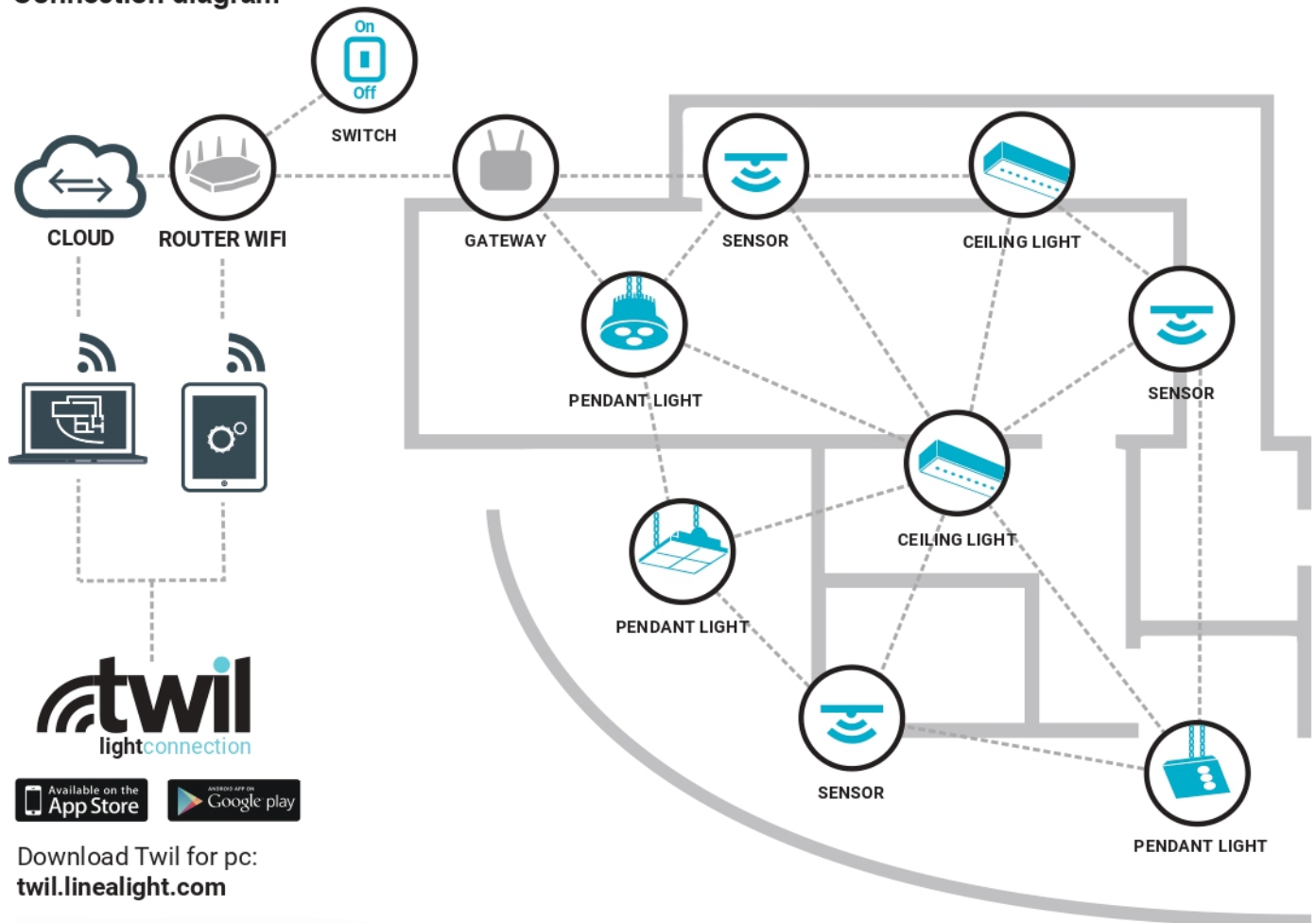




	<p><b>Cable</b> Type of cable power cable; Length 1000 mm; insulation single; section 1 mm<sup>2</sup>; cable gland: pg7; colors: blue - brown - yellow-green.</p>	<p><b>Code</b> <u>84863</u></p>
	<p><b>Connector</b> Type of cable power cable; ; insulation single; section 1 mm<sup>2</sup>; cable gland: yes; colors: blue - brown - yellow-green.</p>	<p><b>Code</b> <u>99737</u></p>
	<p><b>Electronic accessory - Acces point   TP-Link Extender Network standard: IEEE 802.11 a/b/g/n/ac Radio-frequency: 2.4 &amp; 5GHz</b> installation position: wall lights L=180mm, H=47mm, D=180mm. Material:plastic, colour:white.</p>	<p><b>Code</b> <u>99472</u></p>
	<p><b>Gateway - Twil Gateway IEEE 802.11a/b/g/n MiWi IEEE 802.15.4</b></p>	<p><b>Code</b> <u>83237</u></p>
	<p><b>Electronic accessory - Long Range Outdoor Wi-Fi Signal Extender - TP-Link CPE210 - 2.4GHz 300Mbps 9dBi</b> installation position: wall lights L=224mm, H=60mm, D=79mm. Material:plastic, colour:white.</p>	<p><b>Code</b> <u>83360</u></p>
	<p><b>Wi-Fi sensor - Giniu   PIR+LUX Sensor</b></p>	<p><b>Code</b> <u>83236</u></p>
	<p><b>Electronic accessory - Simultaneous dual band wireless router (2.4 + 5 GHz)</b> installation position: wall lights, land L=99mm, H=190mm, D=99mm. Material:plastic, colour:white.</p>	<p><b>Code</b> <u>C-E700029</u></p>



## Connection diagram



It is possible to configure, maintain and monitor the TWIL network using the Apps, available for Windows, Android and iOS, and the TWIL Cloud.

### CONFIGURATION

- Possibility of adding up to 30 devices using Gateway and Switch to a Wi-Fi network
- Up to 80 devices including lights and sensors for every Gateway

### Customising lights

- Name
- Brightness level at switch-on
- Aggregation in Groups (up to 16)
- Up to 16 pre-configured Scenes

### Customising the Sensors

- Name
- Automatic switch-on of group of lights when movement detected
- Group brightness adjustment according to natural light
- Option to position the devices on a layout (Windows App)
- Push-button panel setting (Switch) for rapid command transmission can be configured using Apps

### MAINTENANCE

- Light malfunction notification
- Control of electrical parameters and light life

### MONITORING

- Local: check on light and sensor operation
- Cloud: malfunction alert via email
- light consumption log (individual, Gateway and Systems)
- sensor operation log





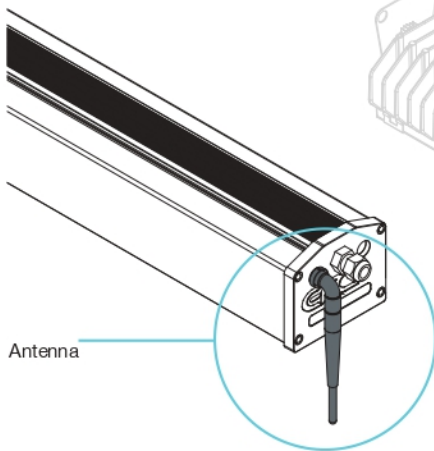
## Other information

- The wireless range could be affected by metal surfaces in particular. The wireless range must be checked in these conditions.
- The Twil light connection app is available in the app store of your smartphone or tablet. The Twil light connection app is available for PCs on the website: [twil.linealight.com](http://twil.linealight.com)
- Linea Light Group declines all responsibility for any third-party commissioning tool and makes no declaration, whether express or implied, concerning the availability and/or performance of said commissioning tool.

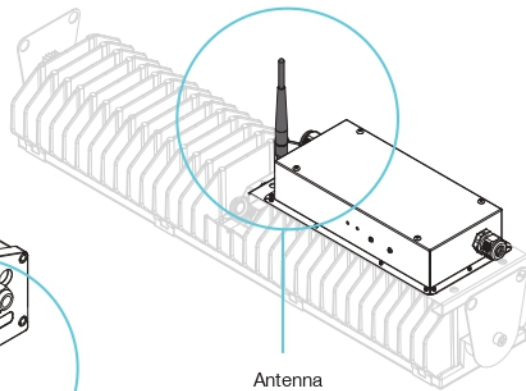


External  
Antenna

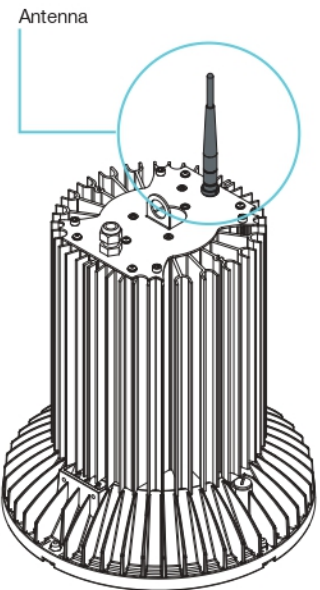
**ALUX**



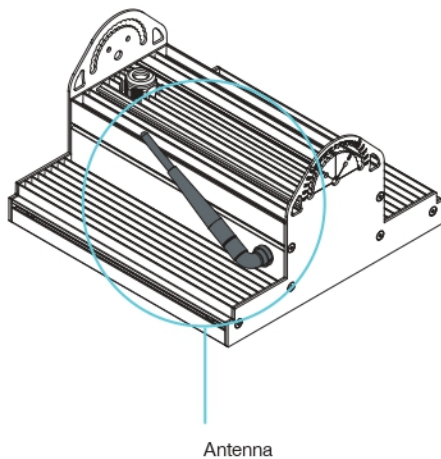
**BIGLAMP**



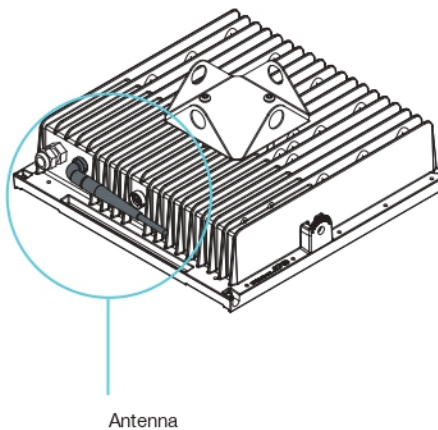
**FLAMP**



**MULTILAMP**



**PROLAMP**



**SENSOR  
83236**



**GATEWAY  
83237**

