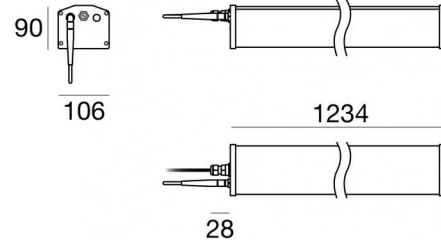


Alux Pro



198-264 V AC /180-275 V DC
48 topLED 90 W DC - 100 W AC | CRI 80
76010W00



Technical data	
Type	Industrial Lighting
Installation position	Ceiling
Installation environment	Indoor
Light Source	LED
Circuit structure	topLED
Optics	Diffused
Light emission direction	downward
Nominal power	90 W DC
Total Power	100 W
Source lumens	13891 lm
Nominal input voltage	220 - 240 V AC
Input voltage range	198 - 264 V AC
Frequency	50 - 60 Hz
CCT / Tone	3000 K
Colour rendering index	80 Ra
C.C. / C.V.	AC
Safety class	2
IP	IP65
IK	IK06
Glow wire test	850°
Direct mounting on normally flammable surfaces	Yes
CE	Yes
Driver included	Driver
Dimmable article	Twil
Directional	No
Tilting	No
Walk-over	No
Drive-over	No
Cable included	Yes
Cable length	1 m
Resin potting	No
Type of light emission	Single emission
Net weight	4.4 Kg
Electrostatic discharge protection	Yes
Surge protection	5 KV

Finishing casing	
Material	Aluminium 6060
Colour	Anodised Aluminum
Processing	20 µm anodizing



198-264 V AC /180-275 V DC | 48 topLED 90 W DC - 100 W AC | CRI 80 | Base
76010W00

Energy efficiency class

This product contains 3 light sources of energy efficiency class D.

Illuminotechnical Features

Light Output Ratio (LOR)	66 %
Source lumens	13891 lm
Delivered lumens	9297 lm
Consumption	100 W
Luminaire efficacy	92 lm/W
Colour temperature	3000 K
Standard Deviation of Colour Matching	3 Step MacAdam
Colour rendering index	80 Ra
Standard Operating Ambient Temperature	-20 / +50°C

LED Life / Failure Ratio

L70 B20 C10 108000h (at Tj 65 Ta 25)

UGR

UGR axial	26
UGR transversal	31.8
X=4H Y=8H	S=0.25H
Reflection factor	70/50/20

OPTICAL

C90/C270 optics	101°
C0/C180 optics	149°
Light distribution simmetry	Symmetrical 2 assis

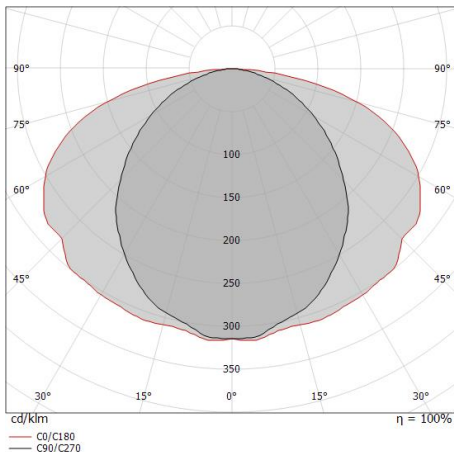
Single emission for indoor application. The warm white LED light source with a diffused light distribution is composed of 48 powered LEDs with CCT of 3000 K and a CRI 80; the source luminous flux is 13891 lm, with a 154.3 lm/W nominal luminous efficacy.

The device body is made of aluminium 6060 and features a anodised aluminum finish, processed by means of 20 µm anodizing. The ingress protection degree is IP65; the total weight is of 4.4 kg.

The total absorbed power is 100 W. The power supply cable is included and features a 1 m length.

The device features protection class II and can be ceiling-mounted.

Compliant with the EN 60598-1 standard and its specific provisions.



Distance [m]	Cone diameter [m]	illuminance [lx]	E(0°)	E(C90)	E(C0)
0.5	1.20 3.56	11701 1526 117	50.3°	74.3°	117
1.0	2.41 7.12	2925 382 29	50.3°	74.3°	29
1.5	3.61 10.67	1300 170 13	50.3°	74.3°	13
2.0	4.82 14.23	731 95 7	50.3°	74.3°	7
2.5	6.02 17.79	468 61 5	50.3°	74.3°	5
3.0	7.23 21.35	325 42 3	50.3°	74.3°	3

Distance [m] Cone diameter [m] illuminance [lx]

— C0/C180 (Half-peak divergence: 148.6°)
— C90/C270 (Half-peak divergence: 100.6°)



	<p>Cable Type of cable power cable; Length 1000 mm; insulation single; section 1 mm²; cable gland: pg7; colors: blue - brown - yellow-green.</p>	<p>Code <u>84863</u></p>
	<p>Connector Type of cable power cable; ; insulation single; section 1 mm²; cable gland: yes; colors: blue - brown - yellow-green.</p>	<p>Code <u>99737</u></p>
	<p>Electronic accessory - Acces point TP-Link Extender Network standard: IEEE 802.11 a/b/g/n/ac Radio-frequency: 2.4 & 5GHz installation position: wall lights L=180mm, H=47mm, D=180mm. Material:plastic, colour:white.</p>	<p>Code <u>99472</u></p>
	<p>Gateway - Twil Gateway IEEE 802.11a/b/g/n MiWi IEEE 802.15.4</p>	<p>Code <u>83237</u></p>
	<p>Electronic accessory - Long Range Outdoor Wi-Fi Signal Extender - TP-Link CPE210 - 2.4GHz 300Mbps 9dBi installation position: wall lights L=224mm, H=60mm, D=79mm. Material:plastic, colour:white.</p>	<p>Code <u>83360</u></p>
	<p>Wi-Fi sensor - Giniu PIR+LUX Sensor</p>	<p>Code <u>83236</u></p>
	<p>Electronic accessory - Simultaneous dual band wireless router (2.4 + 5 GHz) installation position: wall lights, land L=99mm, H=190mm, D=99mm. Material:plastic, colour:white.</p>	<p>Code <u>C-E700029</u></p>



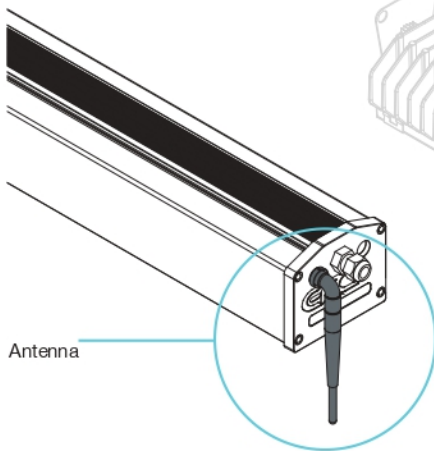
Other information

- The wireless range could be affected by metal surfaces in particular. The wireless range must be checked in these conditions.
- The Twil light connection app is available in the app store of your smartphone or tablet. The Twil light connection app is available for PCs on the website: twil.linealight.com
- Linea Light Group declines all responsibility for any third-party commissioning tool and makes no declaration, whether express or implied, concerning the availability and/or performance of said commissioning tool.

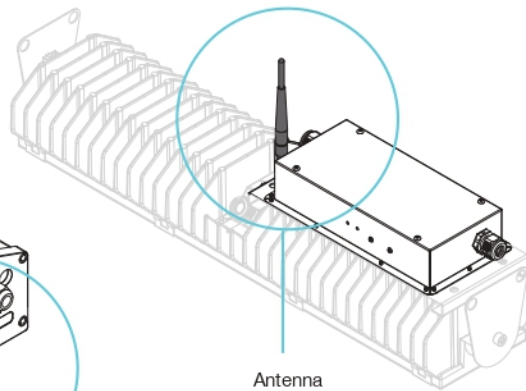


External
Antenna

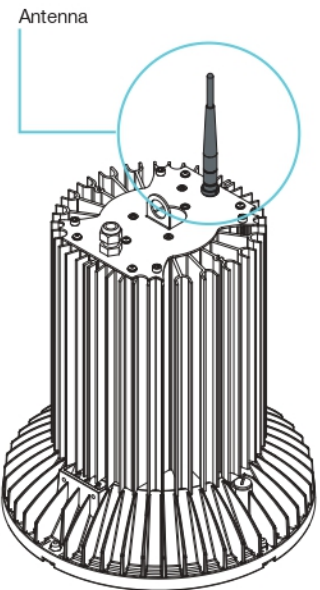
ALUX



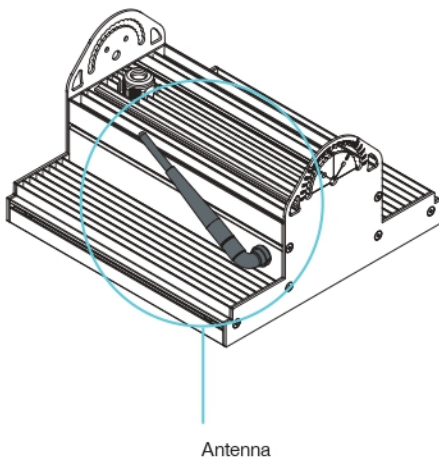
BIGLAMP



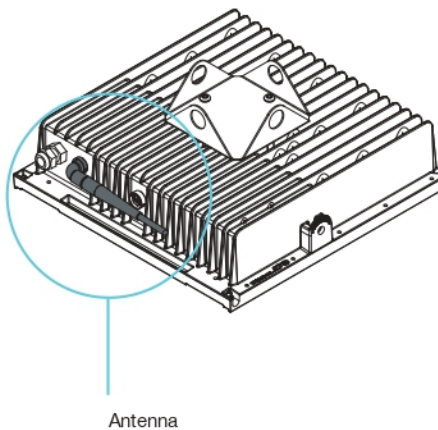
FLAMP



MULTILAMP



PROLAMP



**SENSOR
83236**



**GATEWAY
83237**

