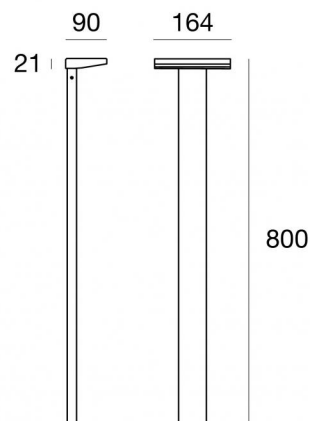




Bollard & Pole | 85-277 V  
18 topLED 8 W DC - 9.5 W AC | CRI 80  
**65397N07**



Technical data	
Type	Bollard
Installation position	Floor
Installation environment	Outdoor
Light Source	LED
Circuit structure	topLED
Optics	Asymmetric Wallwasher
Light emission direction	downward
Nominal power	8 W DC
Total Power	9.5 W
Source lumens	816 lm
Nominal input voltage	220 - 240 V AC
Input voltage range	85 - 277 V AC
Frequency	50 - 60 Hz
CCT / Tone	4000 K
Colour rendering index	80 Ra
C.C. / C.V.	AC
Safety class	2
IP	IP65
IK	IK08
Glow wire test	850°
Direct mounting on normally flammable surfaces	Yes
CE	Yes
Driver included	Driver
Dimmable article	No
Directional	No
Tilting	No
Walk-over	No
Drive-over	No
Cable included	No
Resin potting	Yes
Type of light emission	Single emission
Net weight	2.3 Kg
Electrostatic discharge protection	4 KV
Surge protection	0,5 KV
Optics technology	Optilight TM
Product technological characteristics	Acquastop - UV Resistant

Finishing casing	
Material	Die-cast Aluminium EN AB - 46100
Colour	grey RAL 7021
Processing	Open pore anodizing + Powder Coating
Finishing diffuser	
Material	UV Resistant Polymethylmethacrylate
Colour	transparent
Processing	Laser screen printing
Finishing base	
Material	Galvanised Iron
Colour	grey RAL 7021
Processing	Powder coating

Bollard & Pole | 85-277 V | 18 topLED 8 W DC - 9.5 W AC | CRI 80 | Base  
**65397N07**

Single emission bollard & pole for outdoor application. The natural white LED light source with a asymmetric wallwasher light distribution is composed of 18 topLEDs with CCT of 4000 K and a CRI 80; the source luminous flux is 816 lm, with a 102.0 lm/W nominal luminous efficacy.

The device body is made of die-cast aluminium en ab - 46100 and features a grey ral 7021 finish, processed by means of open pore anodizing + powder coating; the diffuser is made of uv resistant polymethylmethacrylate with a laser screen printing treatment. The ingress protection degree is IP65; the total weight is of 2.3 kg.

The total absorbed power is 9.5 W.

The device features protection class II and can be floor-mounted.

Compliant with the EN 60598-1 standard and its specific provisions.

### Energy efficiency class

This product contains a light source of energy efficiency class D.

### Illuminotechnical Features

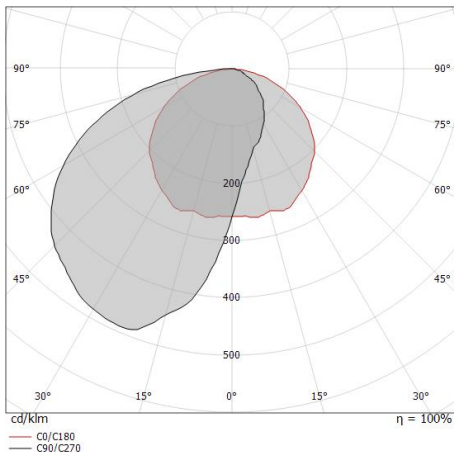
Light Output Ratio (LOR)	28 %
Source lumens	816 lm
Delivered lumens	236 lm
Consumption	9.5 W
Luminaire efficacy	24 lm/W
Colour temperature	4000 K
Standard Deviation of Colour Matching	3 Step MacAdam
Colour rendering index	80 Ra
Standard Operating Ambient Temperature	-20 / +50°C

### LED Life / Failure Ratio

L70 B10 C0 145770h (at Tj 65 Ta 25 )

### OPTICAL

C0/C180 optics	123°
Light distribution simmetry	Asymmetrical

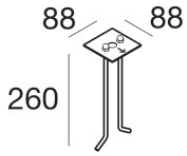


Distance [m]	Cone diameter [m]	Beam diameter [m]	E(0°)	E(C0)	Beam diameter [m]
0.5	1.84	0.5	243	14	0.5
1.0	3.68	1.0	61	3	1.0
1.5	5.53	1.5	27	2	1.5
2.0	7.37	2.0	15	1	2.0
2.5	9.21	2.5	10	1	2.5
3.0	11.05	3.0	7	0	3.0

Distance [m] Cone diameter [m] Illuminance [lx]  
 — C0/C180 (Half-peak divergence: 123.0°)



Opti-Pole | Bollard & Pole | Accessories  
**65397N07**



Picket  
installation position: floor,Cover material: aisi 304 steel

**Code**  
64200