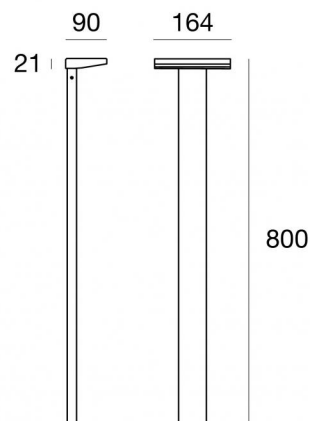
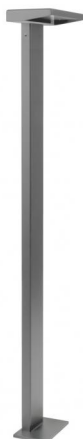




Bollard & Pole | 85-277 V
18 topLED 8 W DC - 9.5 W AC | CRI 80
65395M07



Technical data	
Type	Bollard
Installation position	Floor
Installation environment	Outdoor
Light Source	LED
Circuit structure	topLED
Optics	Asymmetric Wallwasher
Light emission direction	downward
Nominal power	8 W DC
Total Power	9.5 W
Source lumens	744 lm
Nominal input voltage	220 - 240 V AC
Input voltage range	85 - 277 V AC
Frequency	50 - 60 Hz
CCT / Tone	2700 K
Colour rendering index	80 Ra
C.C. / C.V.	AC
Safety class	2
IP	IP65
IK	IK08
Glow wire test	850°
Direct mounting on normally flammable surfaces	Yes
CE	Yes
Driver included	Driver
Dimmable article	No
Directional	No
Tilting	No
Walk-over	No
Drive-over	No
Cable included	No
Resin potting	Yes
Type of light emission	Single emission
Net weight	2.3 Kg
Electrostatic discharge protection	4 KV
Surge protection	0,5 KV
Optics technology	Optilight TM
Product technological characteristics	Acquastop - UV Resistant

Finishing casing	
Material	Die-cast Aluminium EN AB - 46100
Colour	Grey
Processing	Open pore anodizing + Powder Coating
Finishing diffuser	
Material	UV Resistant Polymethylmethacrylate
Colour	transparent
Processing	Laser screen printing
Finishing base	
Material	Galvanised Iron
Colour	Grey
Processing	Powder coating

Bollard & Pole | 85-277 V | 18 topLED 8 W DC - 9.5 W AC | CRI 80 | Base
65395M07

Single emission bollard & pole for outdoor application. The super warm white LED light source with a asymmetric wallwasher light distribution is composed of 18 topLEDs with CCT of 2700 K and a CRI 80; the source luminous flux is 744 lm, with a 93.0 lm/W nominal luminous efficacy.

The device body is made of die-cast aluminium en ab - 46100 and features a grey finish, processed by means of open pore anodizing + powder coating; the diffuser is made of uv resistant polymethylmethacrylate with a laser screen printing treatment. The ingress protection degree is IP65; the total weight is of 2.3 kg.

The total absorbed power is 9.5 W.

The device features protection class II and can be floor-mounted.

Compliant with the EN 60598-1 standard and its specific provisions.

Energy efficiency class

This product contains a light source of energy efficiency class D.

Illuminotechnical Features

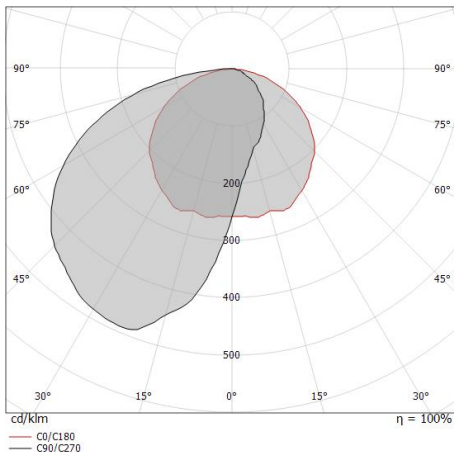
Light Output Ratio (LOR)	29 %
Source lumens	744 lm
Delivered lumens	217 lm
Consumption	9.5 W
Luminaire efficacy	22 lm/W
Colour temperature	2700 K
Standard Deviation of Colour Matching	3 Step MacAdam
Colour rendering index	80 Ra
Standard Operating Ambient Temperature	-20 / +50°C

LED Life / Failure Ratio

L70 B10 C0 145770h (at Tj 65 Ta 25)

OPTICAL

C0/C180 optics	123°
Light distribution simmetry	Asymmetrical



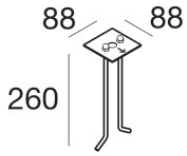
Distance [m]	Cone diameter [m]	E(0°) E(C0)	E(61.5°) E(C0)	E(0°) E(C0)	E(61.5°) E(C0)
0.5	1.84	224	12	56	3
1.0	3.68	25	1	14	1
1.5	5.53	9	0	6	0
2.0	7.37	6	0		
2.5	9.21				
3.0	11.05				

Distance [m] Cone diameter [m] Illuminance [lx]

— C0/C180 (Half-peak divergence: 123.0°)



Opti-Pole | Bollard & Pole | Accessories
65395M07



Picket
installation position: floor,Cover material: aisi 304 steel

Code
64200