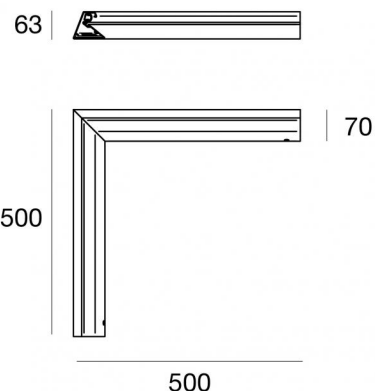


Dirigo_M2 Aluminium IN-corner



Lines | Modular
64664



Technical data	
Designer	Studio RIGO
Construction year	2017
Type	Surface
Installation position	Wall lights - Ceiling - Floor
Installation environment	Outdoor
IK	IK09
Glow wire test	850°
Direct mounting on normally flammable surfaces	Yes
CE	Yes
Dimmable article	No
Directional	No
Tilting	No
Walk-over	Yes
Drive-over	No
Cable included	No
Resin potting	No
Net weight	1.7 Kg
Modularity	Modular

Finishing casing	
Material	Aluminium 6060
Colour	grey RAL 7021
Processing	Open pore anodizing + Powder Coating



Finishing diffuser	
Material	UV Resistant Polymethylmethacrylate
Colour	opaline



Lines | Modular
64664

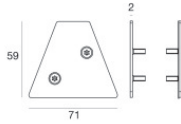
Components

		Silicone_C 120 LEDs/m	Code <u>62403</u>
--	---	-----------------------	-----------------------------

		Silicone_C 120 LEDs/m - LED Strip topLED 72 W DC 24 V 14.4 W/m 1435 Lm/m	Code <u>62403N</u>
--	---	---	------------------------------

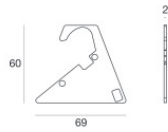


Dirigo_M2 Aluminium IN-corner | Lines | Accessories
64664




Closing cap
Material:Aluminium 6060, colour:grey RAL 7021, processing:Open pore anodizing + Powder Coating.

Code
64641



Junction
Type linear.
Material:Aluminium 6060, colour:grey RAL 7021, processing:Open pore anodizing + Powder Coating.

Finish
 **Code**
64661