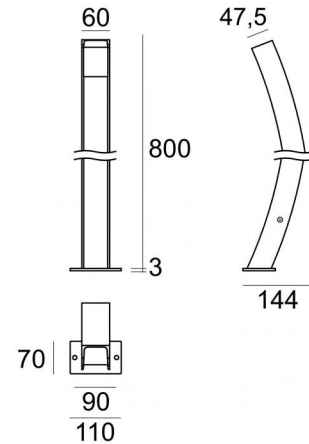




Bollard & Pole | 198-264 V  
4 topLED 8.5 W DC - 10 W AC | CRI 80  
**64268M00**



Technical data	
Designer	Studio RIGO
Type	Bollard
Installation position	Floor
Installation environment	Outdoor
Light Source	LED
Circuit structure	topLED
Optics	Asymmetric 180°
Light emission direction	downward
Nominal power	8.5 W DC
Total Power	10 W
Source lumens	1198 lm
Nominal input voltage	220 - 240 V AC
Input voltage range	198 - 264 V AC
Frequency	50 - 60 Hz
CCT / Tone	2700 K
Colour rendering index	80 Ra
C.C. / C.V.	AC
Safety class	2
IP	IP66
IK	IK09
Glow wire test	850°
Direct mounting on normally flammable surfaces	Yes
CE	Yes
Driver included	Driver
Dimmable article	No
Directional	No
Tilting	No
Walk-over	No
Drive-over	No
Cable included	No
Resin potting	No
Type of light emission	Single emission
Net weight	3,83 Kg
Electrostatic discharge protection	4 KV
Surge protection	0,5 KV

Finishing casing	
Material	Aluminium 6060
Colour	Dark brown
Processing	Open pore anodizing + Powder Coating
Finishing diffuser	
Material	UV Resistant Polycarbonate
Colour	opaline
Finishing base	
Material	Galvanised Iron
Colour	Dark brown
Processing	Powder coating

Bollard & Pole | 198-264 V | 4 topLED 8.5 W DC - 10 W AC | CRI 80 | Base  
**64268M00**

Single emission bollard & pole for outdoor application. The super warm white LED light source with a asymmetric 180° light distribution is composed of 4 powered LEDs with CCT of 2700 K and a CRI 80; the source luminous flux is 1198 lm, with a 140.9 lm/W nominal luminous efficacy.

The device body is made of aluminium 6060 and features a dark brown finish, processed by means of open pore anodizing + powder coating; the diffuser is made of uv resistant polycarbonate. The ingress protection degree is IP66;

The total absorbed power is 10 W.

The device features protection class II and can be floor-mounted.

Compliant with the EN 60598-1 standard and its specific provisions.

### Energy efficiency class

This product contains a light source of energy efficiency class D.

### Illuminotechnical Features

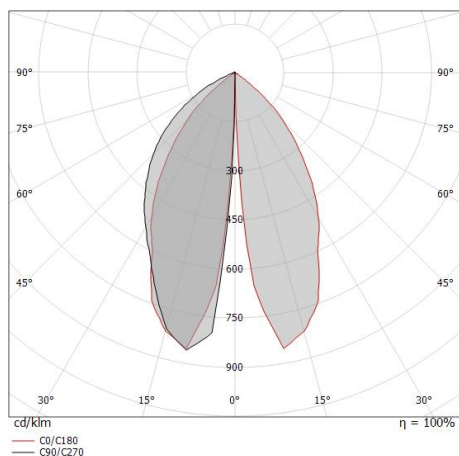
Light Output Ratio (LOR)	35 %
Source lumens	1198 lm
Delivered lumens	424 lm
Consumption	10 W
Luminaire efficacy	42 lm/W
Colour temperature	2700 K
Standard Deviation of Colour Matching	3 Step MacAdam
Colour rendering index	80 Ra
Standard Operating Ambient Temperature	-20 / +50°C
Ordinary temperature on the glass	40°C

### LED Life / Failure Ratio

L70 B20 C10 108000h (at Tj 65 Ta 25 )

### OPTICAL

C0/C180 optics	68°
Light distribution symmetry	Asymmetrical

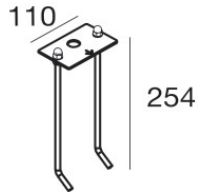


Distance [m]	Cone diameter [m]	Illuminance [lx]
0.5	0.67	E(0°) 0 E(C0) 414
1.0	1.35	E(0°) 0 E(C0) 103
1.5	2.02	E(0°) 0 E(C0) 46
2.0	2.70	E(0°) 0 E(C0) 26
2.5	3.37	E(0°) 0 E(C0) 17
3.0	4.05	E(0°) 0 E(C0) 11

— C0/C180 (Half-peak divergence: 68.0°)



Apache | Bollard & Pole | Accessories  
**64268M00**



Picket  
installation position: floor,Cover material: aisi 304 steel

**Code**  
64210